



KINGTAI

INSTRUMENT

English version

Yuyao Kingtai Instrument Co.,LTD.

We Always In Effort

Yuyao Kingtai Instrument Co.,Ltd.

Add:No.737-2.Xinjian North Road,Yuyao,Zhejiang,China

Tel:+86-574-22666333 22676720 62648266

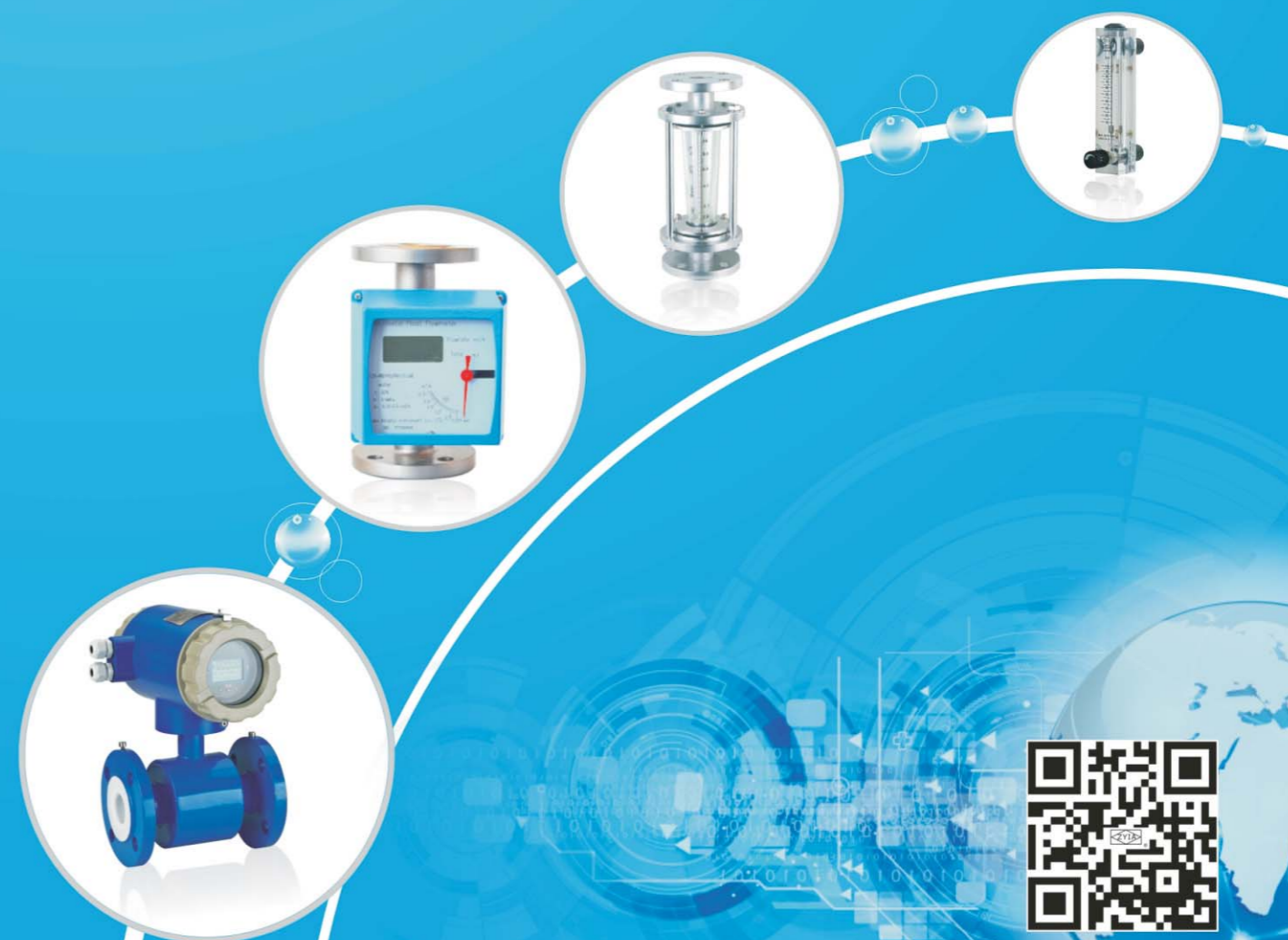
Fax:0574-62648222 22666306

P.C:315400

E-mail:kingtai@zyia.com

Http:www.cnkingtai.cn

Http://www.zyia.com





余姚市金泰仪表有限公司
KINGTAI

ABOUT KINGTAI

Founded in 1989, YUYAO KINGTAI INSTRUMENT CO., LTD. is specializes in the research and development, manufacture, sale, and services of industry instruments. The major products include:

- LD-Series Electromagnetic Flow Meter
- LZ-Series Variable-area Flow Meter With Metallic Measuring Tube
- LZM-Series Panel Type, Tube Type (Acrylic) Flow Meter
- LZS-Series Plastic Tube Flow Meter
- DK Series Glass Rotameter Flow Meter
- DK Series Glass Rotameter Flow Meter
- VA/SA/FA10, VA/SA/FA20, GA24 Glass Rotameter
- General Pressure Gauge, Electric Contact Pressure Gauge, Liquid Filled Pressure Gauge
- Solenoid Valve

Our company passed the ISO9001:2000 certification in 2002; and KINGTAI is one of draftsman of national inspection regulation JJG257-2007 《ROTAMETER》. Our products have been exported to more than ten countries and regions of Europe and America.

We are committed to producing products of high quality and new technology to meet our customers' demands. We are expceting for your contact.

JJG

中华人民共和国国家计量检定规程

JJG 257-2007

浮子流量计

Float Meter

国家质量监督检验检疫总局发布

2007-08-21 发布

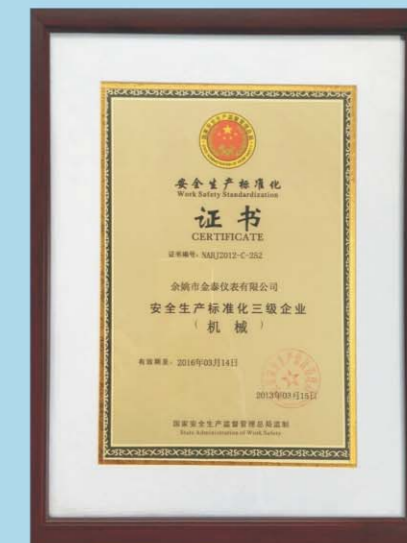
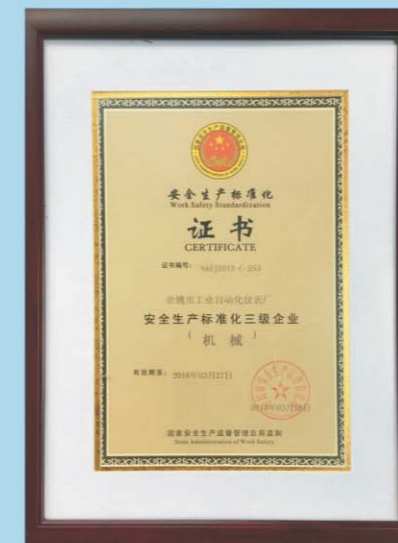
2008-02-21 实施

KINGTAI is one of draftsman of national inspection regulation JJG257-2007 《ROTAMETER》

OUR HONOR

Yuyao Kingtai Instrument Co., LTD.

WE ALWAYS IN EFFORT



KINGTAI

INSTRUMENT

KINGTAI CONTENTS

INSTRUMENT [Http://www.zyia.com](http://www.zyia.com)

<p>LD Series Electromagnetic Flowmeter</p>  <p>1-10</p>	<p>LZ Series Metallic Tube Variable Area Flowmeter</p>  <p>11-20</p>	<p>LZM-6TO₂</p>  <p>21-22</p>	<p>LZB-VA/WA/FA30S</p>  <p>44</p>	<p>LZB-FA100</p>  <p>45</p>	<p>LZB-VA/SA/FA10</p>  <p>46</p>
<p>LZM-4T/6T/8T</p>  <p>23</p>	<p>LZM-Z Series</p>  <p>24</p>	<p>LZM-J Series</p>  <p>25</p>	<p>LZB-VA/SA/FA20 GA24</p>  <p>47-48</p>	<p>Variable Area Flowmeter With Alarm Limit Switch</p>  <p>49-50</p>	<p>Diaphragm Seal Pressure Gauge</p>  <p>51</p>
<p>LZM-Series</p>  <p>26</p>	<p>LZM-ZT/T Series</p>  <p>27-28</p>	<p>LZM-G Series</p>  <p>29-30</p>	<p>Vacuum Pressure Gauge</p>  <p>52</p>	<p>General Pressure Gauge</p>  <p>53-54</p>	<p>Liquid Filled Pressure Gauge</p>  <p>55-56</p>
<p>LZS-Series</p>  <p>31-35</p>	<p>EV-Series</p>  <p>36</p>	<p>LZB-Series</p>  <p>37-38</p>	<p>2W Series Solenoid Valve</p>  <p>57</p>	<p>PX Series Solenoid Valve</p>  <p>58</p>	<p>DF Series Solenoid Valve</p>  <p>59</p>
<p>LZB-Series</p>  <p>39-40</p>	<p>LZB-DK100/DK200/DK300</p>  <p>41-42</p>	<p>LZB-DK800</p>  <p>43</p>	<p>DF-DB High Temperature SS Solenoid Valve</p>  <p>60</p>	<p>ZCZ Series Steam Solenoid Valve</p>  <p>61</p>	<p>ZQDF Series Solenoid Valve</p>  <p>62</p>

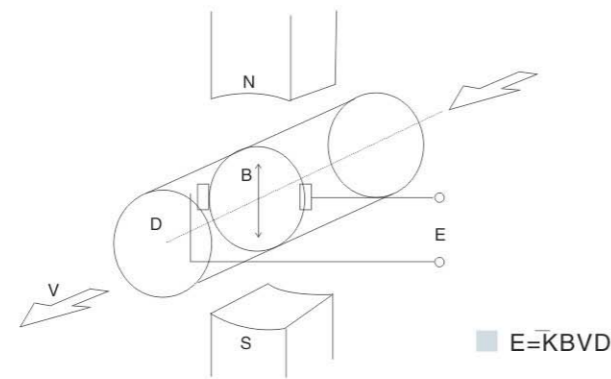
LD Series Electromagnetic Flowmeter

General

Smart electromagnetic flowmeter LD series is oriented for conductive liquid with conductance higher than 5us/cm, it can be used to measure the volume flow of conductive fluid in a closed pipeline. It is composed of sensor and converter and two versions are available: Compact version and separate version. It is widely applied in the flow measurement and control in the fields of chemical and petroleum industry, metallurgy industry, water and waste water, agriculture and irrigation, paper making, food and beverage industry and pharmaceutical industry.

Measuring Principles

Measuring range of the LD smart electromagnetic flowmeter determined on the basis of Faraday Law of Electromagnetic Induction: If lines of magnetic induction are cut through in magnetic field by conductive liquid. Based on the law, we install a pair of electrodes on both sides inside a pipe that runs perpendicularly to both the measuring tube axes and magnetic line of force, electromotive E will be generated between the electrodes. When flux needs measuring, conductive liquid is let go on velocity V through a magnetic field that is perpendicular to the flow direction. With the conductive liquid running through, a voltage that is proportional to average flowing velocity is to be induced. The voltage signal induced can be detected by two or more electrodes that contacts the liquid and then transmitted to converter for intellectual processing before being shown in LCD display outputting standend signals of 4~20mA or 0~1kHz.



- K---instrument modulus
- B---density of magnetic induction
- \bar{V} ---average flowing velocity through a section in tube
- D---inner diameter of the tube

LD Series Electromagnetic Flowmeter

Features

- Various liner can be selected hat satisfies most industrial applications
- Flow velocity range: 0~12m/s, with good results for low flow applications
- It comes any flanges such as, ANSI DIN JIS Etc
- It excellent for high pressure application
- Protection class: IP68 is available, and the sensor can sink into the water
- PFA Liner suitable in vacuum tube
- High accuracy of +/-0.5% of reading
- With Forward Reverse flowrate measure function



■ Compact Version



■ Separate Version

Specification

- Size 10, 15, 20, 25, 32, 40, 50, 65, 80, 100, 125, 150, 200, 250, 300, 350, 400, 450, 500, 600, 700, 800, 900, 1000, 1200, 1400, 1600, 1800, 2000mm

- Measuring Range Velocity 0.3-15m/s min.

Material

- Measuring Tube Stainless Steel 304
Stainless Steel 316 (Option)
- Flange Carbon Steel (standard)
Stainless Steel 304 (Option)
Stainless Steel 316 (Option)
- Coil Housing Carbon Steel (standard)
Stainless Steel 304 (Option)
Stainless Steel 316 (Option)
- Liner Neoprene (25-2000mm)
Polyurethane (15-600mm)
FEP (10-300mm)
PTFE (10-2000mm)
PFA (20-500mm)
- Protection IP 68 (Submersible)
- Conductivity to be more than 5us/cm

- Explosion Proof Ex d II C T6 Gb
- Electrode & Grounding Stainless Steel 316L
Hastelloy B
Hastelloy C
Titanium
Tantalum
Platinum
Tungsten Carbide
- Cable Entry 2 X PG 11, 1/2 NPT (Option)
- Ambient Temperature -25 to +60 Deg.C
- Process Connection Flange
- Flanges Type JIS 10K / JIS 20K / JIS 40K
ANSI 150# / ANSI 300# / ANSI 600#
DIN PN 10 / PN 16 / PN 25 / PN 40
- Grounding Resistance Must be less than 10Ω
- Temperature -20~ +80°C (Neoprene)
-20~+60°C (PU)
-25~+120°C (FEP)
-30~+120°C (PTFE)
-30~+120°C (PFA)
- Working Pressure 1.6Mpa (Size 10-150mm)
1.0Mpa (Size 200-900mm)
0.6Mpa (Size 1000-2000mm)

LD Series Electromagnetic Flowmeter

General

KINGTAI MA series Converter can be used with LD series flow tubes in both compact or separate versions

Features

- Two display for Flow rate / Totalizer
- Accuracy of +/-0.5%
- Bi-directional flow measurement, current and pulse output
- MODBUS, HART, GPRS, PROFIBUS communication (Option)
- Chinese or English displaying mode, (other languages can be set)
- Three integrator gross inside, respective register: Forward gross, reverse gross and minus value gross



Rotundity define keys and LCD screen display



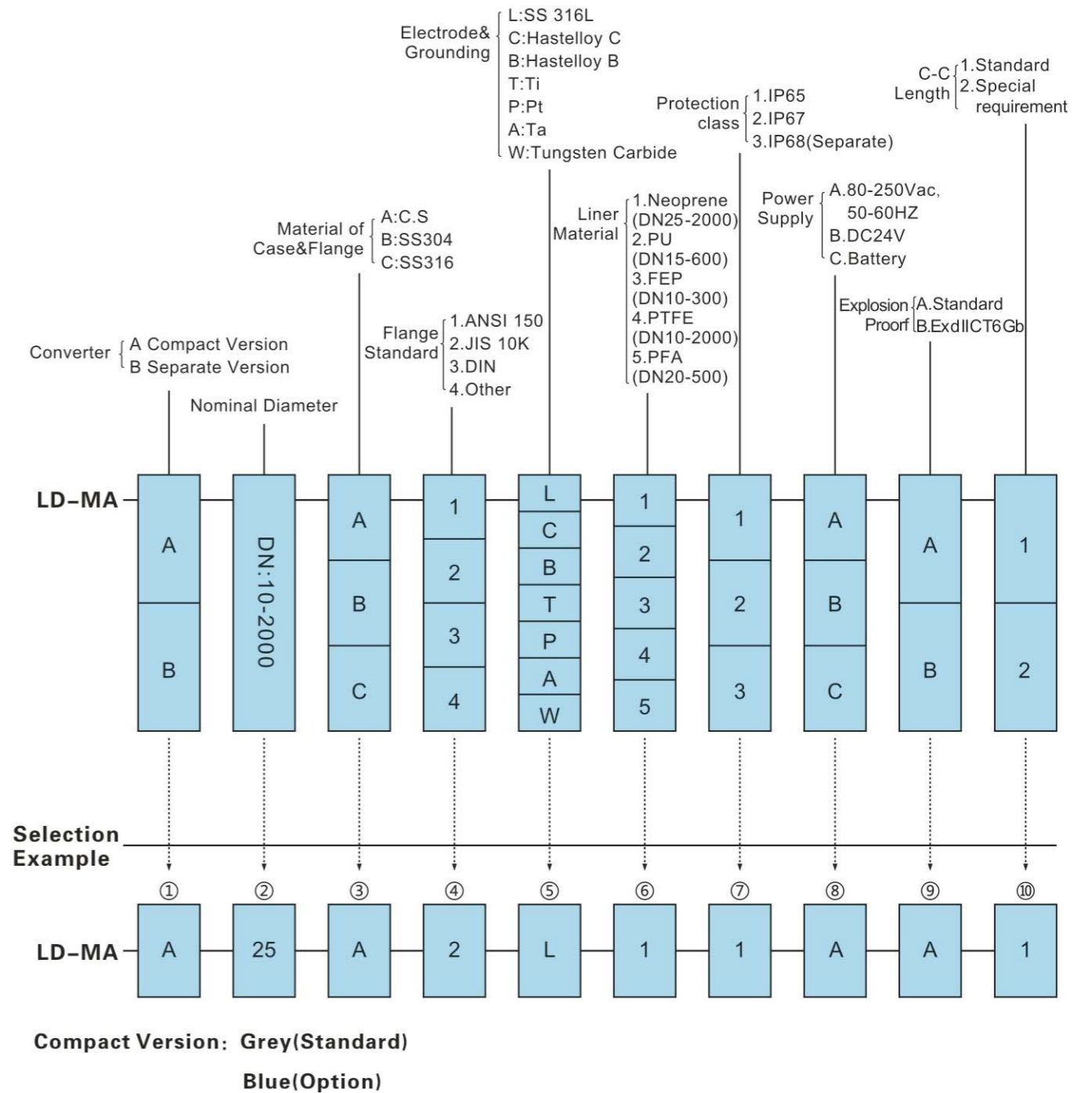
Squared define keys and LCD screen display

Standard Specification

- Excitation** Low-frequency square - wave exciting exciting frequency 1/16 power frequency_a 1/20power frequency_a1/25 power frequency_c High - frequency square-wave exciting exciting frequency1/2 power frequency for grouting liquid measure ; Exciting current can be selected for 125mA_a 187.5mA_a 250mA_a 500 mA
- Digital communication port and protocol** MODBUS interface: format of RTU , RS485 HART interface: designed by standard of HART , if you choose our hand held unit , you can display the measure value on line, and setting the parameters.
- Low Flow Cutoff** 0 to 599.99%
- Damping** 1-64
- Self Diagnosis** The following trouble can be alarmed correctly; FQH - Flow high limit alarm; FQL - Flow low limit alarm; GP - Flow empty pipe alarm; SYS - System exciting alarm
- Cable Entry** 2-M20*1.5, 1/2NPT (Option)
- Protection Class** IP65 IP67 (Option) IP68 (Battery power supply)
- Ambient Temperature** -10 to +65℃
- Material** Aluminum Alloy
- Power Supply** 80-250Vac, 45-63 Hz (single-phase AC) 24Vdc (20VDC-36VDC) Battery
- Power Consumption** <20W (After connecting sensor)
- Measuring Range** 0 to 15m/s
- Velocity** 0.5mm/s
- Repeatability** +/-0.1% of reading
- Current output** 4-20Ma (Isolated)
- Load** Max.750Ω
- Basic Errors** 0.1%±10μA
- Pulse output** Output by field-effect transistors, the highest subjected voltage is 36VDC maximum of output current is 250 mA.
- Pulse Rate** Frequency range: 15000Hz; Pulse output range: 0 ~ 100 pulse/s (When higher than upper limit, pulse will lose); Pulse output value: 0.001 ~ 1.000m³/cp 0.001 ~ 1.000 Ltr / cp
- Pulse output width** 50ms
- Alarm output** Alarm output junction ALMH-upper limit; ALML-lower limit; Alarm output drive:output by Darlington pipe, the highest subjected voltage is 36VDC maximum of output current is 250 mA.

LD Series Electromagnetic Flowmeter

LD-MA Model Selection



LD Series Electromagnetic Flowmeter

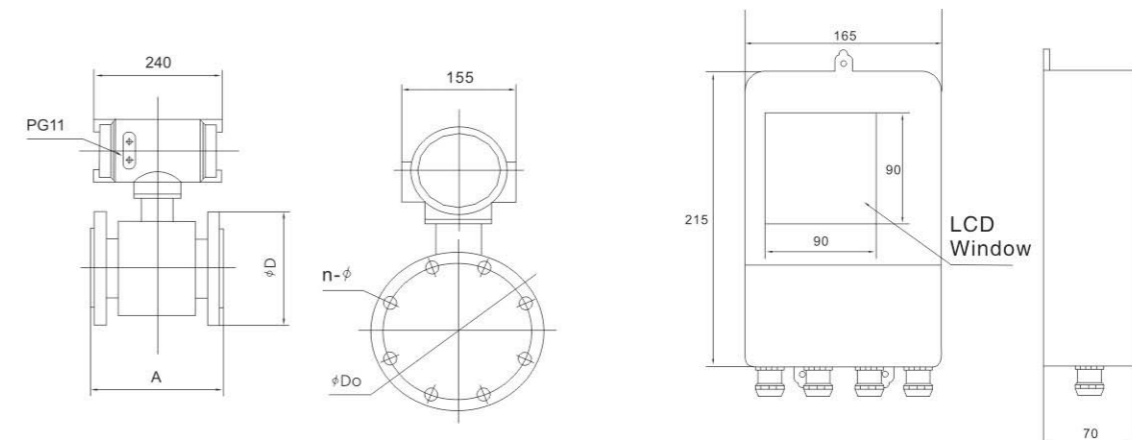
Flow Selection Table

Caliber(mm)	Minimum Flow Options (m ³ /h)	Common choice of full scale flow range options (m ³ /h)
10	0.10	0.4,0.5,0.6,0.8,1.0,1.2,1.6,2.0,2.5
15	0.20	1.0,1.2,1.6,2.0,2.5,3.0,4.0,5.0,6.0
20	0.35	2.0,2.5,3.0,4.0,5.0,6.0,8.0,10.0,12.0
25	0.55	3.0,4.0,5.0,6.0,8.0,10.0,12.0,14.0,16.0
32	1.0	5.0,6.0,8.0,10.0,12,16,20,25
40	1.5	8.0,10.0,12,16,20,25,30,40
50	2.5	12,16,20,25,30,40,50,60,70
65	4.0	20,25,30,40,50,60,80,100,120
80	5.5	25,30,40,50,60,80,100,120,160
100	8.5	40,50,60,80,100,120,160,200,250
125	14	60,80,100,120,160,200,250,300,400,500,600
150	20	100,120,160,200,250,300,400,500,600
200	35	160,200,250,300,400,500,600,800,1000
250	55	200,250,300,400,500,600,800,1000,1200,1600
300	80	300,400,500,600,800,1000,1200,1600,2000,2500
350	105	400,500,600,800,1000,1200,1600,2000,2500,3000
400	135	500,600,800,1000,1200,1600,2000,2500,3000,4000
450	175	600,800,1000,1200,1600,2000,2500,3000,4000,5000
500	215	800,1000,1200,1600,2000,2500,3000,4000,5000,6000
600	305	1000,1200,1600,2000,2500,3000,4000,5000,6000,1000
700	415	1200,1600,2000,2500,3000,4000,5000,6000,10000,12000
800	545	1600,2000,2500,3000,4000,5000,6000,10000,12000,16000
900	690	2000,2500,3000,4000,5000,6000,10000,12000,16000,20000
1000	850	2500,3000,4000,5000,6000,10000,12000,16000,20000,25000
1200	1250	6000,10000,20000,30000,40000,50000
1400	1700	8000,10000,20000,30000,40000,50000
1600	2500	10000,20000,30000,40000,50000,65000
1800	3000	15000,20000,30000,40000,50000,60000,70000,80000
2000	3500	20000,40000,60000,80000,100000
2200	4000	20000,40000,60000,80000,100000,120000

LD Series Electromagnetic Flowmeter

Dimension (See diagram and drawing below)

Diameter(mm)	A	D	DO	n-Φ
10	200	90	60	4×14
15	200	95	65	4×14
20	200	105	75	4×14
25	200	115	85	4×14
32	200	140	100	4×18
40	200	150	110	4×18
50	200	165	125	4×18
65	250	175	145	8×18
80	250	200	160	8×18
100	250	220	180	8×18
125	250	250	210	8×18
150	300	285	240	8×22
200	350	340	295	8×22
250	400	395	350	12×22
300	460	445	400	12×22
350	460	505	460	16×26
400	600	565	515	16×26
450	600	615	565	20×26
500	600	670	620	20×26
600	600	780	725	20×30
700	600	895	840	20×30
800	800	1015	950	24×33
900	900	1115	1050	24×33
1000	1000	1230	1160	28×33
1200	1200	1405	1340	28×36
1400	1400	1630	1560	32×36
1600	1600	1830	1760	36×36
1800	1800	2045	1970	36×36
2000	2000	2265	2180	48×42
2200	2200	2405	2315	52×45



LD Series Electromagnetic Flowmeter

Electrode Material Options

Selection is based on target fluid property

Material	Causticity Resistance
316L	Suitable to: 1. Domestic water, industrial water, head stream and well water, polluted water in cities. 2. Solution of acid, alkali and salt that is of low causticity
Harrington Alloy B	Suitable to: 1. Hydrochloric acid (Concentration<10%) ,all of alkali concentrations of C ₂ H ₅ NO 2. Sodium hydroxide (Concentration<50%) 3. Calcium phosphate, organic acid. Not suitable to: Nitric acid.
Harrington Alloy C	Suitable to: 1. Mixed acids such as blended liquid of chromate and vitriol 2. Oxidation salts such as Fe ⁺⁺ , Cu ⁺⁺ , seawater Not suitable to: hydrochloric acid
(Ti)	Suitable to: 1. Salts e.g: (1) Chloride (magnesium/aluminum/calcium/Ti) (2) Sodium, potassium, ammonium, hypochlorite, sea water sea 2. Hydroxide concentration < 50% potassium chloride, ammonium hydroxide, barium hydroxide alkali Not suitable to: Hydrochloric acid, sulfuric acid, phosphoric acid, hydrofluoric acid, alkali cyanide oxidation barium
(Ta)	Suitable to: 1. hydrochloric acid(Concentration<10%) , watery hydrochloric acid and thick vitriol (except for oleum) 2. chlorine dioxide, magnesium chloride, hypochlorous, sodium cyanide, lead acetate etc. 3. acid oxide such as nitric acid(incl.oleum) and aqua regia, the temperature of which should lower than 80°C Not suitable to: alkali, hydrofluoric acid
(Pt)	Suitable to: almost all solution of acids, alkalis and salts (including oleum, fuming nitric acid) Not suitable to: aqua regia, ammonium.

LD Series Electromagnetic Flowmeter

Lining Material Options

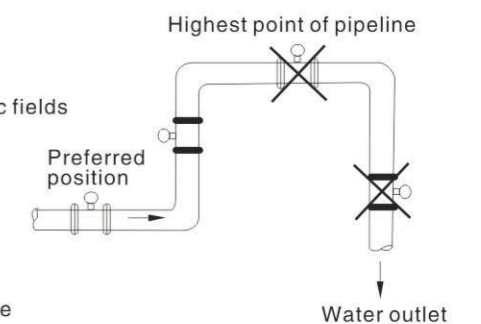
Selection is based on causticity, corrosive wearability and temperature of target media.

Lining Material	Name	Abbrieration	Performance	Max.Temp	Applicable liquid	Applicable caliber
Rubber	Chloroprene Rubber	CR	Medium wearability , safe with low concentration of acids, alkalis and salts	<80°C	waten industrial water, water, sea water	DN50~2200
	Polyurethane Rubber	PU	Excellent wear resistance; acid and alkali resistance poor resistance to acids and alkalis.	<60°C	pulp and slurry etc.	DN25~500
Fluoroplastics	Polyfluortetraethylene	F4 PTFE	Chemical property is stable and is tolerant to boiling hydrochloric acid, sulfuric acid, aqua regia and strong alkali	<180°C	corrosive liquid alkali salt	DN25~1200
	Teflon	F46 FEP	Chemical properties slightly inferior to F4	<120°C	corrosive liquid alkali salt	DN15~200
	Teflon PFA	PFA	Chemical property is similar to PTFE, good ability of negative pressure	200°C	Resistance strong corrosion resistance such as strong acid strong alkali	DN10-DN500

Location of installation

In order to enable reliable flow meter, Pls note the following installation requirements:

1. As far as possible to avoid ferromagnetic objects and equipment with strong magnetic fields (big electric machine, big transformer) is protecting of the magnetic field sensor.
2. It should be installed in the ventilation in the dry, avoid moist and stagnant water.
3. It should be avoided the solarization and rain , To avoid the environment temperature higher than 60°C and humidity more than 95%
4. Flow meter should be enough space around for easy installation and Maintenance.
5. Flow meter must be installed at the outlet of the pump. valve should be installed at the downstream of the flow meter



LD Series Electromagnetic Flowmeter

LD Flow Meters Groundings Tips

1.For Mounting to Metal Tubes

Most of the metal tubes are buried and in contact to the ground, fluid is grounded indirectly. Therefore, there is no need to ground the mounting, especially for those of small caliber. However, particular grounding connection will no doubt greatly help reliability of the instrument performance.

2.For mounting to metal tubes with insulated coating, liner, painting to the inner wall or mounting to plastic tubes;

It's essential to fit metal trims and earth rings on both ends of insulated tubes, by which to establish conductivity between fluid and the grounding system. For details, please check Fig.1. In case of caustic fluids, which may hinder the metal parts installation, it's suggested drill holes at both ends of the insulated tubes for installation of grounding electrodes, which shall be made of causticity resistant alloy and connected to grounding screws with sensor in regard.

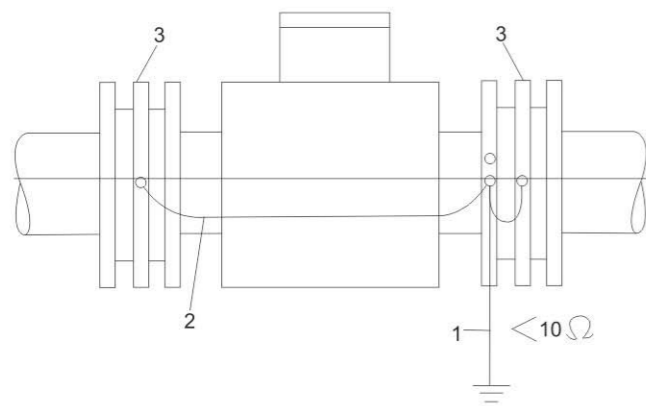


Fig.1 For Mounting to Cathode protected Tubes

1-measure grounding;
 2-grounding lead (16 mm² copper cores);
 3-grounding rings

3.For Mounting to Cathode Protected Tubes

The following precautions need to be noted for grounding of cathode protected tubes; see Fig.2.

- 1)Sensors should be insulated from tubes with cathode protection, so as to prevent sensing results from any electric potential disturbance;
- 2)Earth rings should be equipped to both end faces of sensor and to be insulated from tube flanges. Earth rings on both sides need to be connected to the sensor, while insulated from tube.
- 3)Tube flanges on sides should be wired up with 16mm² copper cores bypassing the sensor.
- 4)Penetrating bolts for flange coupling should be insulated from the flanges with insulated liner and gaskets. Please see Fig.3.

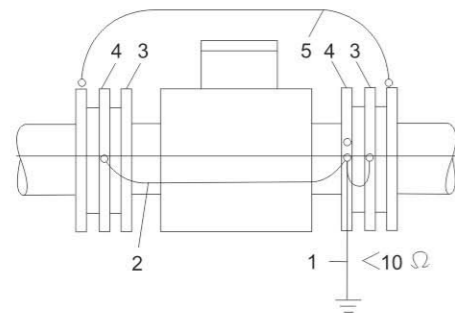


Fig.2 Sensor Mounting at Cathode Protected Tubes

1-measure grounding;
 2-grounding lead (16mm² copper cores);
 3-earth ring;
 4-bolt (insulated);
 5-connection wire (16mm² copper cores).

LD Series Electromagnetic Flowmeter

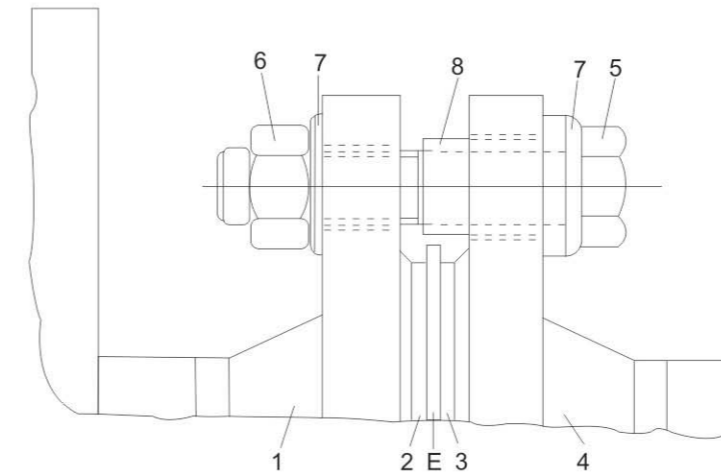


Fig.3 Insulated Bolts in Cathode Protected Tube E-earth ring;

1-flanges with sensor;
 2-liner (PTFE);
 3-O-ring;
 4-piping flanges;
 5-bolt;
 6-nut;
 7-gasket;
 8-insulating liner.

4.For Mounting at Places with Strong Stray Current

For mounting at places with strong stray current e.g. to measure electrolytes flow in tubes by electrolytic cells, where stray current influences reading seriously. It's suggested follow the grounding installation shown in Fig.4, which is to cap both ends of the sensor with earth rings and insulating trims. Similar to other grounding installations, both the earth rings and flanges of the sensor shall be connected to secured grounding rods; however, all other structure tubes by the insulated tubes shall be bypassed by wiring. Since most of creeps has been bypassed via copper cores, disturbance to signaling circuits is hence eliminated.

For mounting at places with strong creeps or electric fields, sensors have to be grounded independently to grounding rod buried in certain depth with copper cores of no less than 16mm².

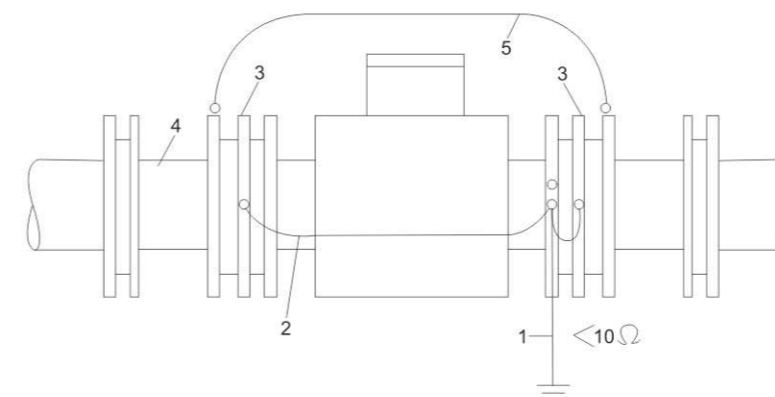


Fig.4 Sensor Mounted to a Tube with Strong Stray Current

1-measure grounding;
 2-grounding lead (16mm² copper cores);
 3-earth rings;
 4-insulating trims;
 5-connection wire (16mm² copper cores)

LZ Series Metallic Tube Variable-area Flowmeter

General

LZ series variable-area flowmeter with metallic measuring tube has the characteristics of simplicity, reliability, wide application field, high precision and easy installation. Compared variable-area flowmeter with glass tube flow meter, this series has the characteristics of high pressure safe, high temperature safe, easy reading etc. It is widely applicable in petrol, chemical, power supply, pharmacy, food, water treatment industry etc.

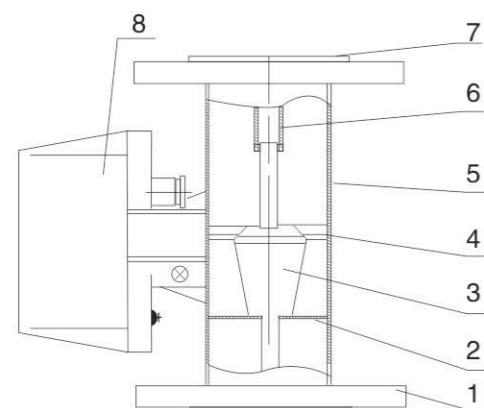
Connection Type



Main Technical Parameters

Measure Range	Water (20°C) (2.5-10000) L/h Air (20°C, 1.101325MPa) (0.07-750) m³/h
Range Ratio	10:1
Accuracy Grade	±1.5%, ±2.5%
Fluid Working Pressure	DN15-DN50: 4.0MPa DN80-DN150: 1.6MPa
Working Pressure of Coating	1.6MPa
Fluid Working Temperature	-80°C~+200°C (PTFE≤+85°C) (For Model PTFE≤+85°C)
Connection Type	(Flange connection, Threaded connection or Tri-clamp connection flange refer to standard GB/T9119; ANSI 150lbs, 300lbs; HG20592-20635; Other standard flange can be made to the user requirement.)
Environment Temperature	-25°C~+55°C
Medium Viscidity	DN15≤5mPa.S; DN25-DN100≤250mPa.S
Electricity Singal Output	Output Signal: (4-20mA)
	Linear Accuracy: 1%
	Temperature Influence: 0.5%/10°C
Restrict Alarm	Power Supply: (13-30) V DC
	Power Supply Consume: ≤250mW
	Power Supply: 24 (±10%) V DC
Explosion-proof Gr	Power Loss: ≤3W
	Working Temperature: -25°C~+60°C
Explosion-proof Gr	EXIbIICt5

Construction

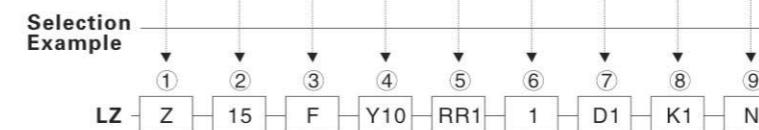


- | | |
|---------------------|-----------------|
| 1 Flange Connection | 5 Tube Body |
| 2 Guider | 6 Stopper |
| 3 Float | 7 Spring Collar |
| 4 Measuring Tube | 8 Indicator |

LZ Series Metallic Tube Variable-area Flowmeter

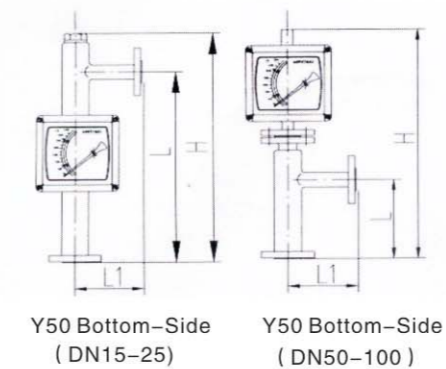
Model Selection

Metallic Tube Variable-area Flowmeter	
Z	Local indicator
D	Local indicator with 4-20MA output
DE	LCD display with 4-20MA output
DN15-150	Pipe Size(mm)
Connection type	
F	Flange connection(ANSI150lbs)
C	Tri-clamp connection
S	Threaded connection
Structure Form	
Y10	Bottom - top
Y20	Right - left or left - right (Horizontal)
Y30	In and on the same side
Y40	In and out on different side
Y50	Bottom - side
Contacting Liquid	
RRO	316/ oCr18Ni 12 Mo2Ti
RR1	304/ 1Cr18 Ni9Ti
RL	316L
RP	PTFE
Ti	Titamium
HC	Hastelloy C
Indicator	
1	Aluminum alloy
2	All stainless steel
3	Flame - proof type
Power Supply	
D1	DV24V power supply
D2	Battery power supply
Alarm	
K1	High alarm limit(HA)
K2	Low alarm limit(LA)
K12	One HA and LA
N	N/A
Additional Function	
T	Jacket type
Z	Damp type
B	Flame-proof type
H	Hart
N	N/A

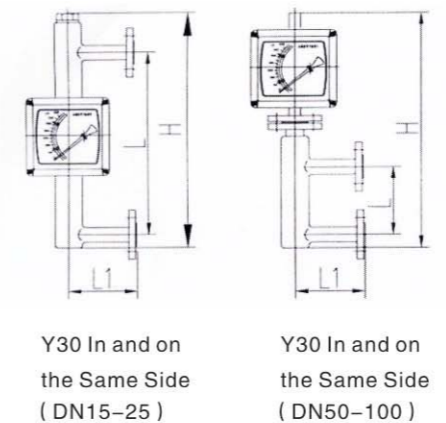


Measuring Range

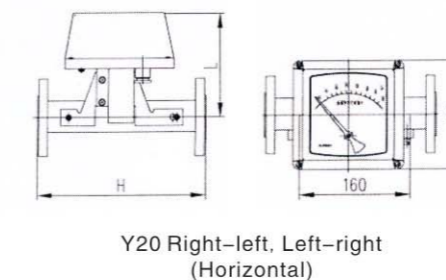
Diameter (mm)	Water (L/h) 20°C 101325Pa		Air (m³/h) 20°C 101325Pa.abs		Maximum Pressure Loss (Kpa)		Accuracy	Working Pressure
	RRO RRI RL	PTFE	RRO RRI RRL		RRO RRI RRL	PTFE		
15	1.6-16		0.05-0.5		6.5		± 1.5%	≤4.0Mpa
	2.5-25		0.07-0.7		6.5			
	4-40	2.5-25	0.12-1.2		6.5	5.5		
	6-60	4-40	0.18-1.8		6.6	5.5		
	10-100	6-60	0.3-3		6.6	5.6		
	16-160	10-100	0.4-4.0		6.8	5.8		
	25-250	16-160	0.7-7.0		7.2	6.1		
	40-400	25-250	1.0-10		8.6	6.1		
	60-600	40-400	1.5-15		11.1	7.3		
	80-800	60-600	2.5-25		11.1	7.3		
100-1000	80-800	3.0-30		11.1	7.3			
20	40-400	40-400	0.75-7.5		8.6	6.1	± 1.5%	≤4.0Mpa
	60-600	60-600	1.2-12		11.1	7.3		
	100-1000	100-1000	1.8-18		11.1	7.3		
25	40-400	40-400	1-10		6.5	5.9	± 1.5%	≤4.0Mpa
	60-600	50-500	1.5-15		6.5	6.2		
	80-800	60-600	2.5-25		7.0	7.0		
	100-1000	80-800	4-40		7.0	5.9		
	160-1600	100-1000	5-50		8.0	6.0		
	250-2500	160-1600	6-60		10.8	6.8		
	400-4000	250-2500	8-80		15.8	9.2		
	500-5000	400-4000	10-100		16.2	11.0		
	600-6000	500-5000	15-150		16.5	12.0		
	160-1600	160-1600	3.0-30		8.0	6.0		
250-2500	250-2500	5.0-50		10.8	6.8			
400-4000	400-4000	7.5-75		15.8	9.2			
32	600-6000	600-6000			16.5	12.0	± 1.5%	≤4.0Mpa
	400-4000	400-4000	3.0-30		8.0	6.5		
	600-6000	600-6000	5.0-50		11	6.8		
40	1000-10000	1000-10000	7.5-75		16.2	9.4	± 1.5%	≤4.0Mpa
	600-6000	400-4000	18-180		8.0	6.5		
	1000-10000	600-6000	25-250		11.0	6.8		
50	1600-16000	1000-10000	40-400		16.2	9.4	± 1.5%	≤4.0Mpa
	2000-20000	1600-16000	50-500		17.0	14.5		
	2500-25000	2000-20000	60-600		19.0	16.5		
	1200-12000	1200-12000	18-180		8.2	6.9		
65	1600-16000	1600-16000	30-300		8.2	6.9	± 1.5%	≤4.0Mpa
	2500-25000	2500-25000	37-370		15.5	11.9		
	1600-16000	1000-10000	50-500		8.2	6.9		
80	2500-25000	1600-16000	60-600		15.5	11.9	± 1.5%	≤4.0Mpa
	4000-40000	2000-20000	100-1000		20.0	16.1		
	5000-50000	2500-25000	150-1500		25.0	18.1		
	4000-40000	2000-20000	100-1000		8.4	8.1		
100	5000-50000	2500-25000	150-1500		11.2	9.1	± 1.5%	≤1.6Mpa
	6000-60000	4000-40000	180-1800		20.0	16.5		
	8000-80000	5000-50000	240-2400		25.4	22.2		
	10000-100000	8000-80000	300-3000		32	29.2		
125	10000-100000	8000-80000	300-3000		42	38.5	± 1.5%	≤1.6Mpa
	25000-125000	10000-100000			45	42		
150	12500-125000	10000-100000			45	42	± 1.5%	≤1.6Mpa
	15000-150000	12500-125000			60	58		



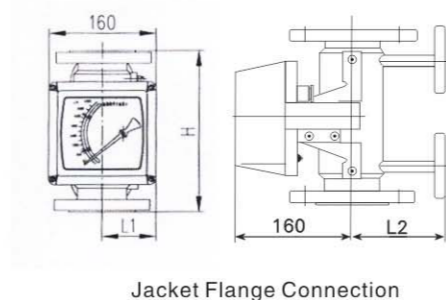
DN	H	L	L1
15	350	250	120
20	350	250	120
25	350	250	120
32	350	250	120
40	350	250	120
50	600	250	120
65	600	250	120
80	700	250	150
100	700	250	150



DN	H	L	L1
15	500	250	120
20	500	250	120
25	500	250	120
32	500	250	120
40	500	250	120
50	650	250	120
65	650	250	120
80	800	300	150
100	800	300	150



DN	H	L
15	250	160
20	250	160
25	250	160
32	250	160
40	250	160
50	250	160
65	250	160
80	250	160
100	250	160
125	250	160
150	300	160



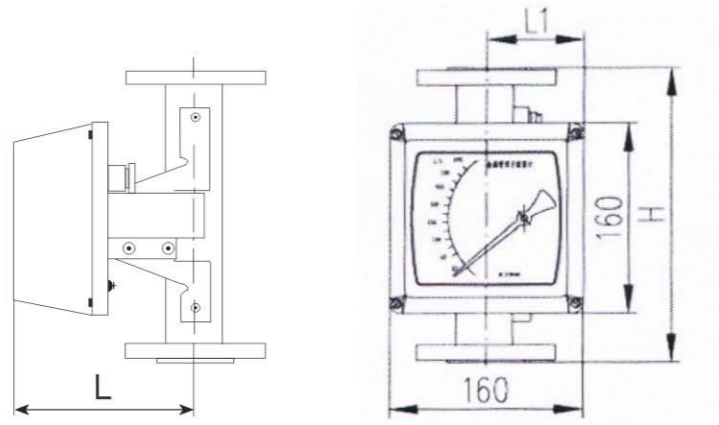
DN	H	L1	L2	L3
15	250	84	116	150
20	250	84	116	150
25	250	95	128	150
32	250	99	132	150
40	250	99	132	150
50	250	111	144	150
65	250	111	144	150
80	250	130	183	150
100	250	146	179	150

Note:1.To ensure flowmeter working stability,it should be assured that working pressure not less than double of max loss of pressure when flowmeter used to measure liquid ;when you measured medium is air, it should be assured that working pressure not less than five times of max loss of pressure;2.Above measuring range is for reference only , you can select other measuring ranges according to range ratio 10:1; 3.Flowmeter can be special made for you as per medium density ,viscosity , temperature ,pressure and other parameters you supply.



LZ Series Metallic Tube Variable-area Flowmeter

LZ- Outline and installing demension (Flange Connection)



Y10 Bottom-top

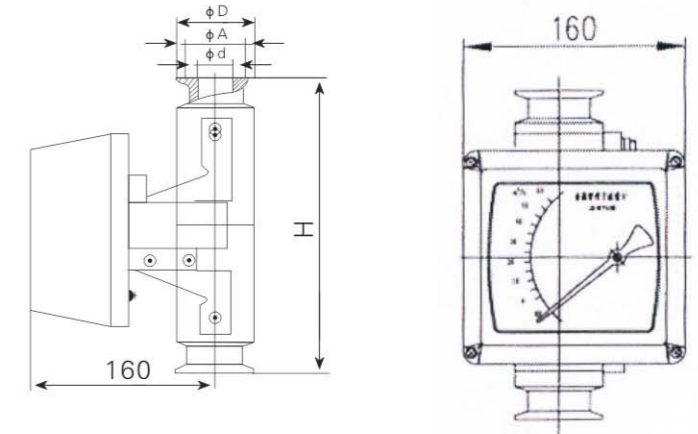


DN	H	L	L1
15	250	160	80
20	250	160	80
25	250	160	89
32	250	160	91
40	250	160	91
50	250	160	104
65	250	160	104
80	250	160	130
100	250	160	137
125	250	160	137
150	300	160	157



LZ Series Metallic Tube Variable-area Flowmeter

LZ- Outline and installing demension (Tri-Clamp Connection)



Y10 Tri-Clamp Connection

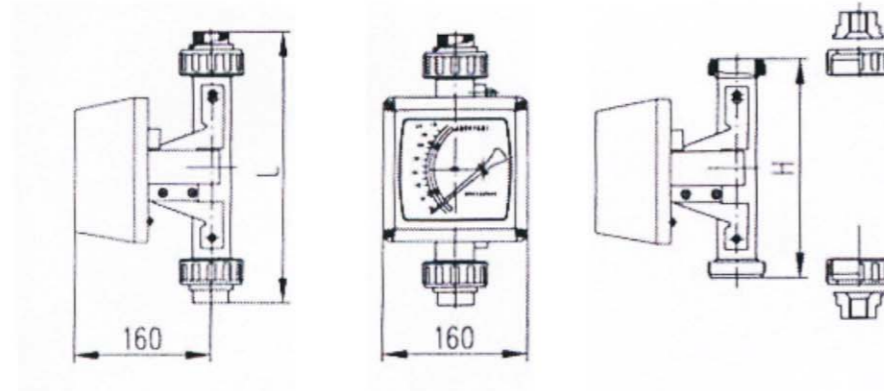


DN	H	D	A	d
15	250	34	27.5	22
20	250	50.5	43.5	37
25	250	50.5	43.5	37
32	250	50.5	43.5	37
40	250	50.5	43.5	37
50	250	64	56.5	50
65	250	77.5	70.5	58
65	250	91	83.5	67
80	250	106	97	80
100	250	119	110	90



LZ Series Metallic Tube Variable-area Flowmeter

LZ- Outline and installing demension
(Threaded Connection)



Y10 Threaded Connection



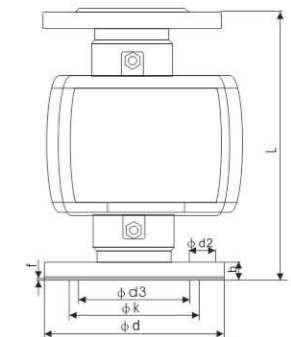
DN	H	L	Thread
15	250	315	G1/2"
20	250	315	G3/4"
25	250	315	G1"
32	250	315	G1-
40	250	315	G1-
50	250	315	G2"
65	250	315	G2-
80	250	330	G3"
100	250	330	G4"



LZ Series Metallic Tube Variable-area Flowmeter

Flange And Outline Dimensions

Cliber/Pressure mm/MPa	Size (mm)						
	Φd	Φd3	Φk	Φd2	b	f	L
15/4.0	95	45	65	4-Φ14	16	2	250
25/4.0	115	68	85	4-Φ14	18	2	250
50/4.0	165	102	125	4-Φ18	20	3	250
80/1.6	200	138	160	4-Φ18	20	3	250
100/1.6	220	162	180	4-Φ18	20	3	250
125/1.6	250	188	210	4-Φ18	22	3	250
150/1.6	285	218	240	4-Φ22	22	3	300

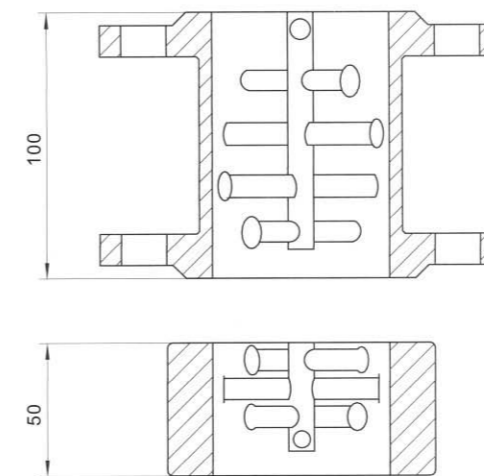


Magnet Fliter

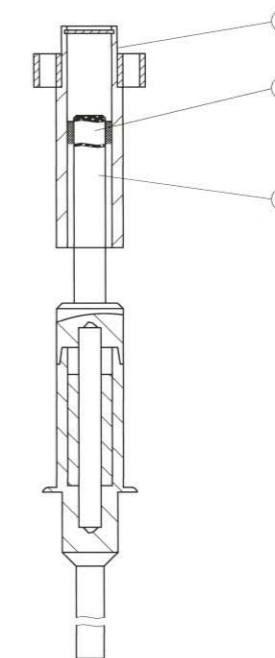
If medium might having been mixed with freomagnet particles, installation of relevant filters turns essential. Hekucal positioning pattern of the filtering sticks reduces pressure loss to the maximum. Each filtering magnetic stick has been coated with PTFE, which protects the sticks from corrosion.

Type I : (flange connetion) Height:100mm
 Type II : (compacted installation) Height:50mm

Magnet Fliter



Oscilator Damper



- ① — Tube of Oscilator Damper
- ② — Oscilator Damper
- ③ — Float

Oscilator Damper

In coping with unstable medium flow (pressure) at the entrance of flowmeters to ensure steady, reliable and en durable functioning, hi-tech. oscilation dampers is recommended to be installed on respective measuring components of the devices when measuring clean gases.

LZ Series Metallic Tube Variable-area Flowmeter

LZZW Series Metal Tube Flowmeter

Description

The flowmeter operates on the float measuring principle. The measuring section consists of a metal cone in which a float can move freely up and down. The medium flows through the flowmeter from bottom to top.

The variable area flowmeters are suitable for measuring gases, vapors and liquids with specialty of solid, steady and reliable. The flowmeters are available as inlet or outlet pressure regulator. It also select install 1 or 2 limit switches.



Horizontal Connection

Vertical Connection

Horizontal Connection with Limit Switch

Description Code

The description code consists of the following elements*:

LZZW — □ / □ / □
 ① ② ③

① F10 without valve and vertical connection
 F12 with valve and horizontal connection

② RR1 Material 304
 RL Material 316L

③ K1 One upper limit switch
 K2 One lower limit switch
 K12 Two limit switches

* Positions which are not needed are omitted (no blank positions).

Technical data

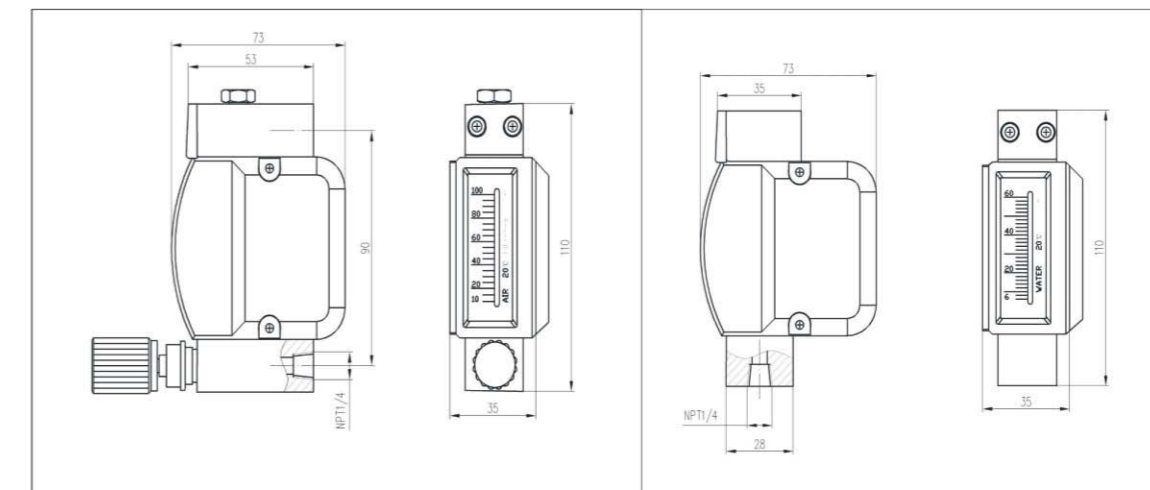
- Measuring ranges: Water (20°C) 0.3~100 L/h
 Air (20°C 101325Pa) 5~3400 L/h
- Measuring span:10:1
- Accuracy: 4.0
- Maximum Pressure: 2.5 MPa
- Medium Temperature: -80~+150°C
- Ambient Temperature: -25~+65°C
- Connection Type:1/4"NPTF
- Limit Switch:1 or 2
- Protection category: IP67

LZ Series Metallic Tube Variable-area Flowmeter

Flow Table

Cones	Water (20°C L/h)	Air(20°C 101325Pa L/h)	Maximum Pressure Loss (kPa)
K01	—	5~50	1.2
K02	0.3~3	10~100	1.4
K03	0.5~5	15~150	1.5
K04	1~10	40~400	1.8
K05	2.5~25	80~800	3.5
K06	4-40	125~1250	6.5
K07	6-60	200~2000	13.0
K08	8~80	250~2500	23.5
K09	10~100	340~3400	40.0

Dimensions



LZZW-F12(Horizontal Connection)

LZZW-F10(Vertical Connection)

Materials of main parts

Parts	Standard	Special
Seating	304	316L or on request
Cone and Float	304	316L or on request
Indicator Housing	Aluminum Casting	

LZM Series Acrylic Flow Meter

LZM serial flow merter, which is made of Acrylic, is used to measure the single-phase non-pulsating flux of liquid or gas. It is featured in beautiful look, low weight and durability.

LZM-6T_{O₂}

LZM-6T O₂ Oxygen Flowmeter for concentrator. This Flow Meters is mainly used for measuring and controlling the flow of oxygen in oxygen concentrator



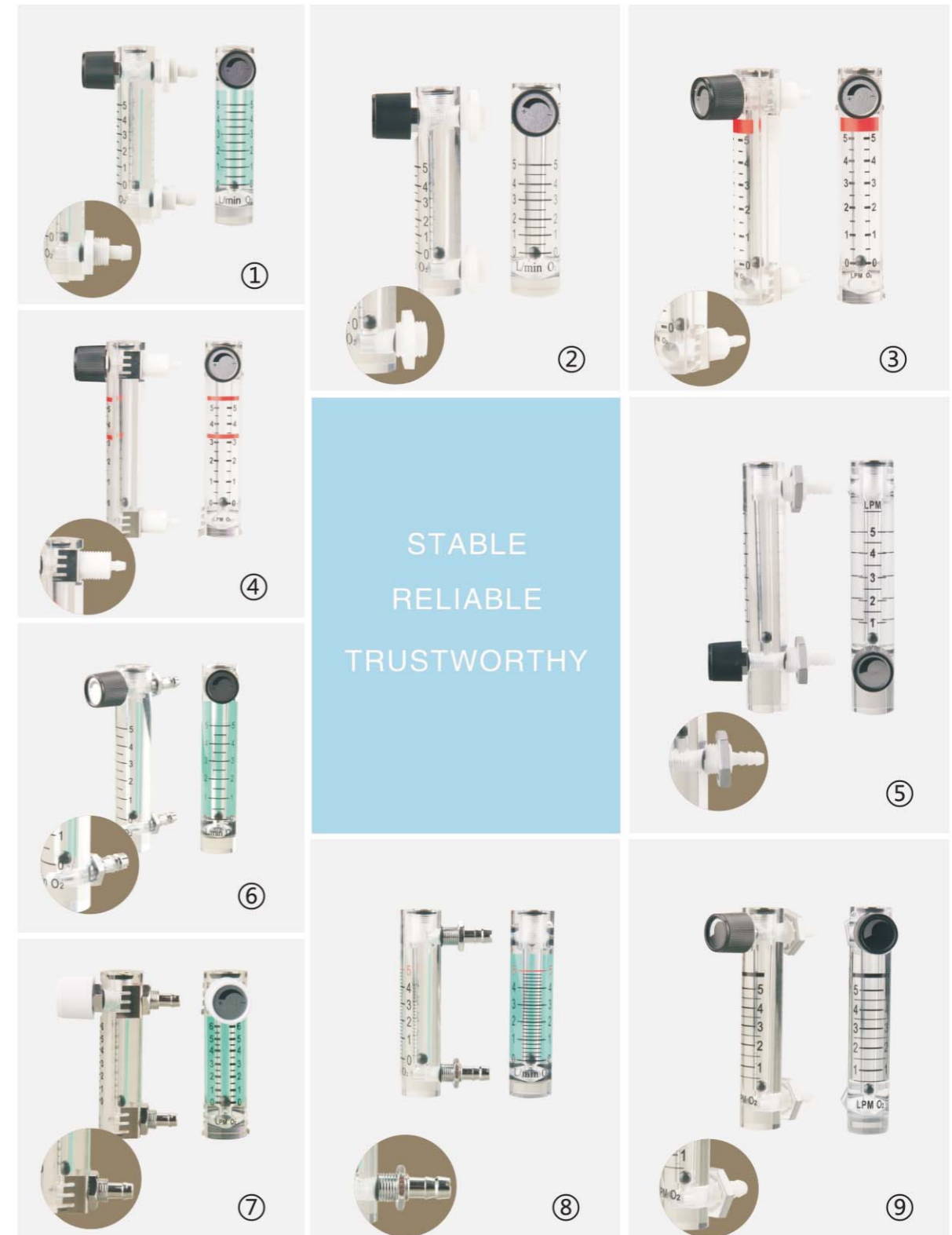
Technical Parameters Of LZM-6T O₂ Series Flow Meter

Model	No.	Range (L/min)	Connection Type	Accuracy	Size (mm)							
					A	B	C	D	E	F	G	H
LZM-6T O ₂	1	1-3	Tube	±5%	60	20	21or19	40	M10X1 or 9/16-18	8	22	8
	2	1-5			70	20		50		7	22	7
	3	0-5 0-9 0-10			93	20		70		10	22	8
	4	1-5 0-6			96	20		70		13	22	8
	5	0-5 1-5 0.1-1 2-10 0.5-10 0.5-14 4-25 0-1000cc/min			106	20		80		13	22	8
	6	1-5 0.5-10 2-10			108	20		70		25	22	8
	7	0-5 1-5 2-10 0.5-14			115.5	20		90		13	22	8

The material of LZM-6T O₂ Series Flow Meter

With valve	Valve	Fitting	Float	O-ring
T-With	✓ 1.Brass	✓ 1.Brass	✓ 1.Agate ball	✓ 1.Fluorinrubber
O-No	2.SS	2.Brass chromeplate	2.SS ball	2.Butyl

Product Show

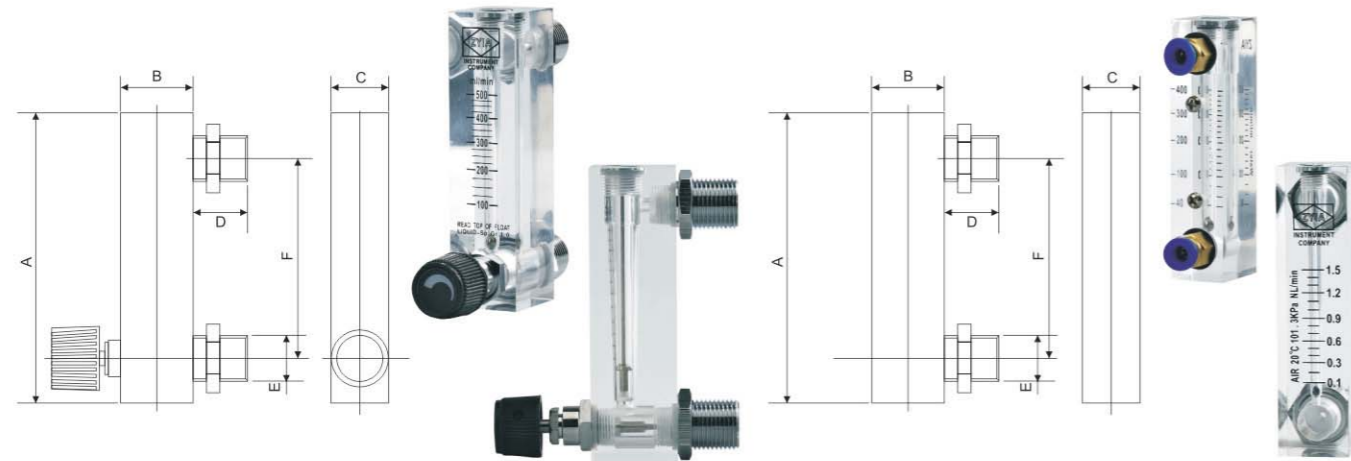


LZM Series Acrylic Flow Meter

LZM-4T, 6T, 8T

Outline Dimension(with regulator)

Outline Dimension(without regulator)



Technical Parameters of LZM-4T, 6T, 8T Series Flow Meter

Model	Range				Screw Thread	Accuracy	Size (mm)					
	MI/min (Liquid)	L/min (Gas)					A	B	C	D	E	F
LZM-4T	6-60 8-80 30-120 40-400	0.05-0.5 0.25-2.5 1-5	0.1-1 0.6-6 1-10	0.2-2 1-4 1-12	Direct ϕ 6	$\pm 4\%$	94	27	21	14	14	70
LZM-6T	6-60 10-70GPH 16-160 25-250 80-400 100-500 100-600 200-800 100-1000	0.1-0.8 0.3-3 1-5	0.1-1.5 0.4-4 1-12	0.1-1 0.5-8 2-10 3-30 6-30 10-100	(F) 1/4" BSP	$\pm 4\%$	102	30	25	20	M18x1.5	77
LZM-8T	2.5-25LPH 5-45LPH 6-60LPH	0.16-1.6 0.1-1	m ³ /h m ³ /h	0.2-2 m ³ /h			110	25	25	20	M18x1.5	80

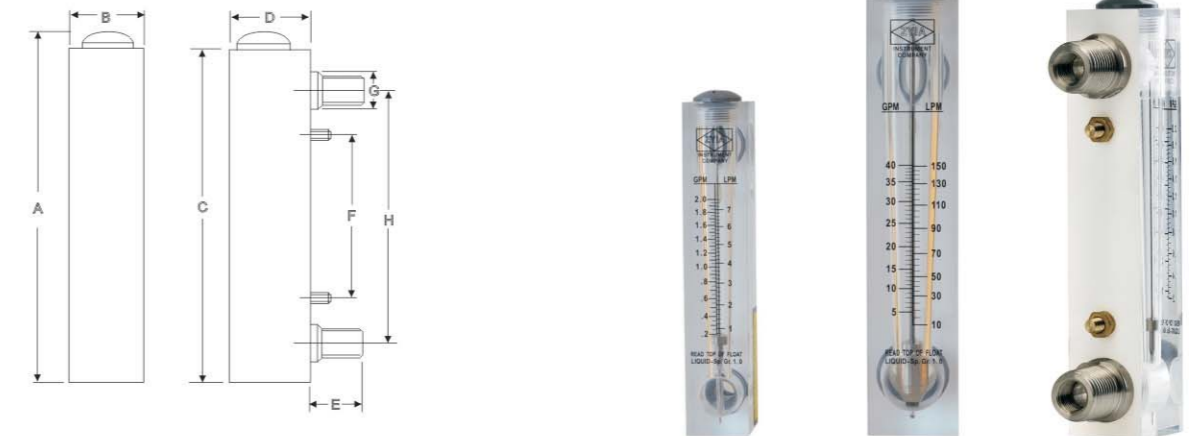
The material of LZM- 4T, 6T, 8T Series Flow Meter

With valve	Valve	Fitting	Float	O-ring
T-With	√ 1.Brass	1.ABS 2.PP 3.PVC	√ 1.SS 2.Acrylic	√ 1.Silicon rubber
O-No	2.SS	4.Brass √ 5.Brass chromeplate 6.SS	3.Agata ball 4.PTFE	2.Fluorin rubber 3.Butyl

Note:Mark with√, the material of the Flow Meter is the General Configuration

LZM Series Acrylic Flow Meter

LZM-Z Series



Technical Parameters of LZM-Z Series Flow Meter

Model	Range			Screw Thread	Accuracy	Size (mm)							
	GPM (Liquid)	LPM (Liquid)	Nm ³ /h(Gas)			A	B	C	D	E	F	G	H
LZM-15ZA		15-150LPH	0.1-1 0.16-1.6 0.3-3 0.4-4	(M) 1/4" BSPT (F) 1/4" BSPT		157	32	150	35	25	60	25	110
LZM-15Z		10-100LPH 16-160LPH 25-250LPH	0.04-0.4 0.1-1 0.16-1.6 0.3-3 0.25-2.5 0.4-4	(M) 1/2" BSPT (F) 1/4" BSPT	$\pm 4\%$	175	32	168	35	25	76	25	127
	0.03-0.35	0.1-1.4	0.6-6 0.8-8										
	0.05-0.5	0.2-1.8	1-10 1.6-16										
	0.1-1	0.5-4	2.5-25 3-30										
	0.15-1.5	0.6-6	4-40										
	0.2-2	1-7											
LZM-25Z		1-10 1-15 2-14 2-20 5-35 5-40 5-45	5-35 5-50 10-50 10-70 10-130 10-150 10-170	(M) 1" BSPT	$\pm 4\%$	234	45	226	46	33	100	37	160
	2.5-15	2.5-25	4-40 6-60										
	10-100	20-100	16-160 25-250										
	30-300	35-350											
	0.3-2.1 m ³ /h												
	0.6-3 m ³ /h												
	0.6-4.2 m ³ /h												

The material of LZM-Z series Flow Meter

Fitting	Float	O-ring
√ 1.ABS 2.PP 3.PVC	4.Brass 5.Brass chromeplate 6.SS	√ 1.SS
		√ 1.Silicon rubber 2.Fluorin rubber 3.Butyl

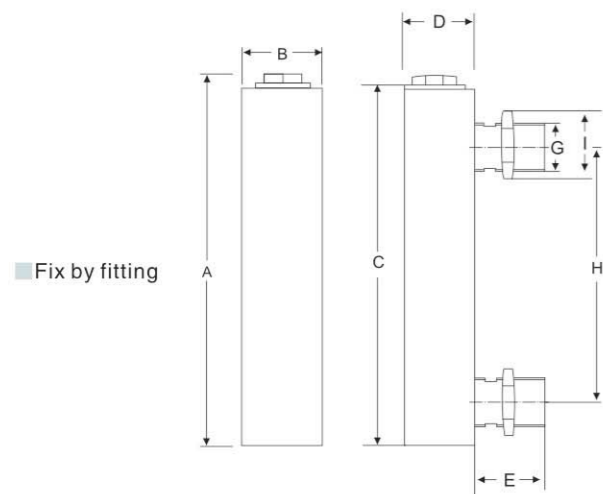
Note:Mark with√, the material of the Flow Meter is the General Configuration

LZM Series Acrylic Flow Meter

LZM-J Series

Technical Parameters of LZM-J series Panel Type Flow Meter

Model	Range			Screw Thread	Accuracy	Size (mm)								
	GPM (Liquid)	LPM (Liquid)	Nm ³ /h(Gas)			A	B	C	D	E	F	G	H	I
LZM-15J	0.1-1	0.5-4	1-10 1.6-16 2.5-25 4-40	(M) 1/2" NPT (M) 1/2" BSP	±4%	216	32	206	37	33	100	1/2"	165	30
	0.2-2	0.8-8												
	0.3-3	1-11												
	0.5-5	2-18												
	1-7	2-28												
LZM-20J	1.5-9	400-2000LPH	2.5-25 6-60 16-80 16-160	(M) 3/4" NPT (M) 3/4" BSP	±4%	233	39	220	44	49	100	3/4"	165	32
2-10	8-40													
2-16	8-60													
LZM-25J	2-20	8-80	20-200 25-250	(M) 1" NPT (M) 1" BSP	±4%	253	44	240	50	48	100	1"	175	40
	1.5-15	6-60												
	3-13	10-50												
	4-24	10-100												
	5-35	10-130												
	5-45	20-170												



The material of the LZM-series Flow Meter

Fitting	Float	O-ring
√ 1.ABS 2.PP 3.PVC 4.Brass 5.Brass chromeplate 6.SS	√ 1.SS 2.Agata ball 3.PTFE	√ 1.Silicon rubber 2.Fluorin rubber 3.Butyl

Note:Mark with√, the material of the Flow Meter is the General Configuration

LZM Series Acrylic Flow Meter

LZM-Series

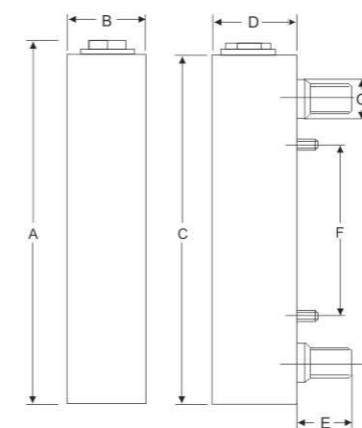
Technical Parameters of LZM-series Panel Type Flow Meter

Model	Range			Screw Thread	Accuracy	Size (mm)							
	GPM (Liquid)	LPM (Liquid)	Nm ³ /h(Gas)			A	B	C	D	E	F	G	H
LZM-15	0.1-1	0.5-4	1-10 1.6-16 2.5-25 4-40	(M) 1/2"BSPT	±4%	216	32	206	37	36	100	28	165
	0.2-2	0.8-8											
	0.3-3	1-11											
	0.5-5	2-18											
	1-7	2-28											
	1.5-9	400-2000LPH											
LZM-20	2-10	8-40	2.5-25 6-60 16-80 16-160	(M) 3/4"BSPT	±4%	233	39	220	44	42	100	37	165
	2-16	8-60											
	2-20	8-80											
LZM-25	1.5-15	6-60	20-200 25-250	(M) 1"BSPT	±4%	253	44	240	50	31	100	37	175
	3-13	10-50											
	4-24	10-100											
	5-35	10-130											
	5-45	20-170											
LZM-40	10-45	40-170		(M) 1 1/2"BSPT	±4%	265	62	250	62	33	100	52	170
	15-50	60-200											
	10-60	60-240											
	20-70	80-260											
	20-80	80-300											

The material of LZM-series Flow Meter

Fitting	Float	O-ring
√ 1.ABS 2.PP 3.PVC 4.Brass 5.Brass chromeplate 6.SS	√ 1.SS 2.Agata ball 3.PTFE	√ 1.Silicon rubber 2.Fluorin rubber 3.Butyl

Note:Mark with√, the material of the Flow Meter is the General Configuration

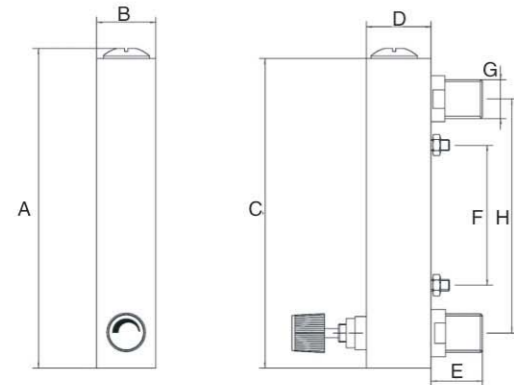


■ Fitting with nuts



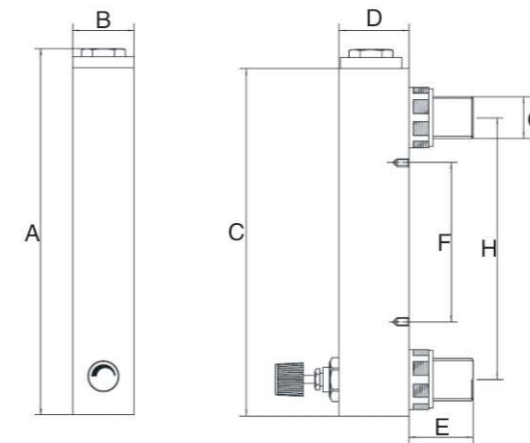
LZM Series Acrylic Flow Meter

LZM-ZT Series



LZM Series Acrylic Flow Meter

LZM-T Series



Technical Parameters of LZM-ZT Series Flow Meter

Model	Range			Screw Thread	Accuracy	Size (mm)							
	GPM (Liquid)	LPM (Liquid)	Nm ³ /h(Gas)			A	B	C	D	E	F	G	H
LZM-15ZAT		15-150LPH	0.1-1 0.16-1.6 0.3-3 0.4-4			157	32	150	35	25	60	25	110
LZM-15ZT		10-100LPH	0.04-0.4 0.16-1.6 0.1-1 0.25-2.5 0.3-3 0.4-4 0.6-6 0.8-8 1-10 1.6-16 2.5-25 4-40	(M)1/2"BSPT (F)1/4"BSPT	±4%	175	32	168	35	25	76	25	127
		16-160LPH											
		25-250LPH											
	0.1-1	0.5-4											
	0.2-2	1-7											
LZM-25ZT		2-10	20-100 35-350 40-160 50-250	(M)1"BSPT	±4%	234	45	226	46	33	100	37	160
		5-35											
		10-50											
		20-70											
		30-130											
	30-150												
	15-45	50-170											

The material of the LZM-ZT series Flow Meter

Fitting	Float	O-ring
√ 1.ABS 2.PP 3.PVC 4.Brass 5.Brass chromeplate 6.SS	√ 1.SS	√ 1.Silicon rubber 2.Fluorin rubber

Note:Mark with√, the material of the Flow Meter is the General Configuration

Technical Parameters of LZM-T Series Flow Meter

Model	Range			Screw Thread	Accuracy	Size (mm)							
	GPM (Liquid)	LPM (Liquid)	Nm ³ /h(Gas)			A	B	C	D	E	F	G	H
LZM-15T	0.1-1	0.5-4	1-10 1.6-16 2.5-25 4-40	(M)1/2"BSPT	±4%	216	32	206	37	36	100	28	165
	0.2-2	0.8-8											
	0.3-3	1-11											
	0.5-5	2-18											
LZM-20T	2-10	8-40	2.5-25 6-60 16-80 16-160	(M)3/4"BSPT	±4%	233	39	220	44	42	100	37	165
	2-16	8-60											
	2-20	8-80											
LZM-25T	3-13	10-50		(M)1"BSPT	±4%	253	44	240	50	31	100	37	175
	6-24	20-100											
	10-35	30-130											
	10-45	30-170											

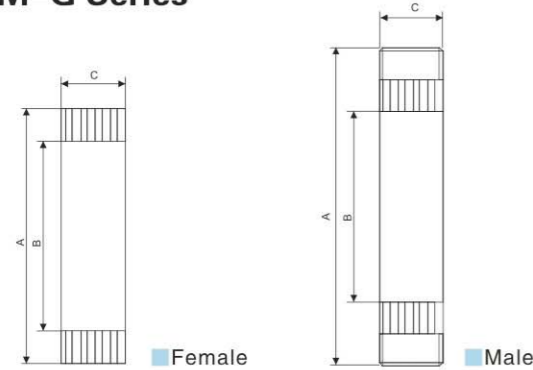
The material of the LZM-T series Flow Meter

Fitting	Float	O-ring
√ 1.ABS 2.PP 3.PVC 4.Brass 5.Brass chromeplate 6.SS	√ 1.SS	√ 1.Silicon rubber 2.Fluorin rubber

Note:Mark with√, the material of the Flow Meter is the General Configuration

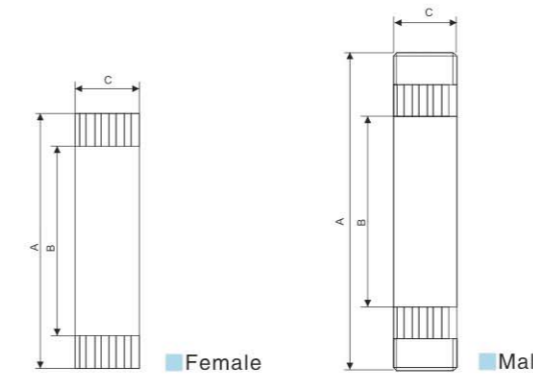
LZM Series Acrylic Flow Meter

LZM-G Series



LZM Series Acrylic Flow Meter

LZM-G Series



Technical Parameters of LZM-G Series Tube Type Flow Meter

Model	Range			Screw Thread	Accuracy	Size (mm)			
	GPM (Liquid)	LPM (Liquid)	Nm ³ /h(Gas)			A	B	C	
LZM-10G		2.5-25LPH		(M) 1/2" BSP (M) 1/2" NPT	±4%	187	130	22	
		5-45LPH							
		6-60LPH							
		10-100LPH							
		16-160LPH							
LZM-15GD		4-40LPH 10-100LPH	0.3-3	(F) 1/2" BSP	±4%	210	180	150	32
LZM-15G LZM-15GF	0.1-1	0.5-4	0.8-8 1-10 1.6-16 2.5-25 4-40						
	0.2-2	1-7							
	0.5-5	1.8-18							
LZM-20G LZM-20GF	1-10	4-36 100-1000LPH	6-60						
LZM-25G LZM-25GF	1-10	4-36	6-30 10-100 ★15-140 16-160 25-250 35-350 80-400	(F) 1" BSP					
	1-15	5-60							
	2-20	10-70							
	5-30	20-110							
	5-45	20-170							
LZM-75GF	120-300	450-1100		(F) 3" BSP		392	298	110X110	

The material of LZM-G series Flow Meter

Fitting	Float	O-ring
✓ 1.ABS 2.PP 3.PVC 4.Brass 5.Brass chromeplate 6.SS	✓ 1.SS 2.Agata ball 3.PTFE	✓ 1.Silicon rubber 2.Fluorin rubber 3.Butyl

Note: Mark with ✓, the material of the Flow Meter is the General Configuration

Note: For buyer's convenience, we design two constructions for this series of flowmeter, one is circular, and the other one is quadrate, their measure range is same, LZM-G Circular tube type flowmeter LZM-GF Quadrate tube type flowmeter

Technical Parameters of LZM-G Series Tube Type Flow Meter

Model	Range			Screw Thread	Accuracy	Size (mm)		
	GPM (Liquid)	LPM (Liquid)	Nm ³ /h(Gas)			A	B	C
LZM-40G LZM-40GF	1-10	4-36	6-30 10-100 ★15-140 16-160 25-250 35-350 80-400	(M) 1 1/2" BSP	±4%	306	235	51
	1-15	5-60						
	2-20	10-70						
	5-30	20-110						
	5-40	20-150						
LZM-40GB	5-45	20-170	(F) 1 1/2" BSP	±4%	380	270	75	
	20-60	80-220						
	4-40	15-150						
LZM-50G LZM-50GF	6-60	20-240	100-500 120-600 300-850 400-1200 500-1400	(F/M) 2" BSP	±4%	380 (F)	270	75
	8-80	50-300						
	10-100	50-350						
	20-80	80-300						
	20-100	80-360						
LZM-75GF	40-120	150-450	(F) 3" BSP	±4%	340 (M)	270	75	
	50-150	190-560						
	60-200	220-750						

The material of LZM-G series Flow Meter

Fitting	Float	O-ring
✓ 1.ABS 2.PP 3.PVC 4.Brass 5.Brass chromeplate 6.SS	✓ 1.SS 2.Agata ball 3.PTFE	✓ 1.Silicon rubber 2.Fluorin rubber 3.Butyl

Note: Mark with ✓, the material of the Flow Meter is the General Configuration

Note: For buyer's convenience, we design two constructions for this series of flowmeter, one is circular, and the other one is quadrate, their measure range is same, LZM-G Circular tube type flowmeter LZM-GF Quadrate tube type flowmeter

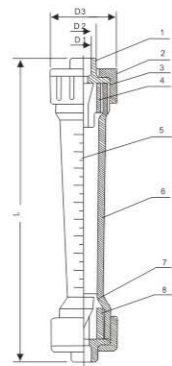
LZS-Durable Plastic Tube Type Flowmeter

LZS-Durable Plastic Tube Type Flowmeter

The LZS-Durable Plastic Tube Type Rotameter is newly developed according to market need and gained the patent, Patent No.ZL94208420.9

Construction of LZS-15~LZS-65

- 1.Joint pipe
- 2.Screw cap
- 3.O-ring
- 4.Upper Stop Plate
- 5.Scale
- 6.Taper Tube
- 7.Float
- 8.lower Stop Plate

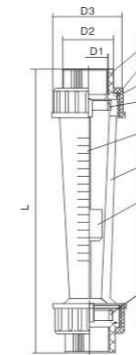


LZS-Durable Plastic Tube Type Flowmeter

LZS-Durable Plastic Tube Type Flowmeter

Construction of LZS-15~LZS-65

- 1.Joint pipe
- 2.Screw cap
- 3.O-ring
- 4.Upper Stop Plate
- 5.Scale
- 6.Taper Tube
- 7.Float
- 8.lower Stop Plate



Technical Parameters of LZS Series Flow Meter(Glue)

Model	Diameter (DN)mm	Range		Accuracy	Conditions		Size (mm)								Suit pipe DN(mm)
		Long Tube Type	Short Tube Type		°C Temperature	Mpa Pressure	Long Tube Type				Short Tube Type				
LZS-15	15	10-100l/h 16-160l/h 25-250l/h 40-400l/h 60-600l/h	5-50l/h 10-100l/h 16-160l/h 25-250l/h 40-400l/h 50-500l/h 60-600l/h 100-1000l/h	±4%	0-60	≤0.6	L	D1	D2	D3	L	D1	D2	D3	15/20
							280	20	26	45	202	20	26	45	
LZS-20	20		60-600l/h 100-1000l/h							231	25	35	45		
LZS-25	25	100-1000l/h 160-1600l/h 250-2500l/h	4-40l/min 100-1000l/h 160-1600l/h 250-2500l/h				380	32	39	68	226	32	39	60	25/32
LZS-32	32		0.4-4m³/h 0.6-6m³/h								288	40	49.5	74	32/40
LZS-40	40	0.4-4m³/h(with leader) 0.6-6m³/h(with leader) 1-10m³/h (with leader)					430	50	63	88					40/50
LZS-50	50	0.4-4m³/h 0.6-6m³/h 1-10m³/h 1.6-16m³/h(with leader)	1-10m³/h 1.6-16m³/h				430	63	73	98	341	63	73	98	50/65
LZS-65	65		2.5-16m³/h 5-25m³/h 8-40m³/h 12-60m³/h								430	75	88	122	65/75

The material of LZS-part

Taper tube is AS. Pipe, Screw Cap, Setting, Float is of ABS. LZS-C:Long Tube Type;LZS-D:Short Tube Type

Note:Long Tube Type Without Leader,Short Tube Type With Leader

Technical Parameters of LZS Series Flow Meter(Threaded connection)

Model	Diameter (DN)mm	Range		Accuracy	Conditions		Size (mm)								Suit pipe DN(mm)
		Long Tube Type	Short Tube Type		°C Temperature	Mpa Pressure	Long Tube Type				Short Tube Type				
LZS-15	15	10-100l/h 16-160l/h 25-250l/h 40-400l/h 60-600l/h	5-50l/h 10-100l/h 16-160l/h 25-250l/h 40-400l/h 50-500l/h 60-600l/h 100-1000l/h	±4%	0-60	≤0.6	L	D1	D2	D3	L	D1	D2	D3	15
							280	1/2" BSP	26	45	202	1/2" BSP	26	45	
LZS-25	25	100-1000l/h 160-1600l/h 250-2500l/h	100-1000l/h 160-1600l/h 250-2500l/h				380	3/4" BSP	39	68	226	3/4" BSP	39	60	25
LZS-32	32		0.4-4m³/h 0.6-6m³/h								288	1" BSP	49.5	74	32
LZS-50	50	0.4-4m³/h 0.6-6m³/h 1-10m³/h 1.6-16m³/h (with leader)	1-10m³/h 1.6-16m³/h				430	1 1/2" BSP	73	98	341	1 1/2" BSP	73	98	50
LZS-65	65		2.5-16m³/h 5-25m³/h 8-40m³/h 12-60m³/h								430	2" BSP	88	122	65

Note:Long Tube Type Without Leader,Short Tube Type With Leader

LZS-Durable Plastic Tube Type Flowmeter

LZS-Series

The LZS-Durable Plastic Tube Type Rotameter is newly developed according to market need and gained the patent.
Patent No:ZL94208420.9



Technical Parameters of LZS Series Flow Meter(Flange Connection)

Model	Diameter (DN)mm	Range		Accuracy	Conditions		Size (mm)				Suit pipe DN(mm)				
		Long Tube Type	Short Tube Type		°C Temperature	Mpa Pressure	Long Tube Type		Short Tube Type						
LZS-15	15	10-100l/h 16-160l/h 25-250l/h 40-400l/h 60-600l/h	5-50l/h 10-100l/h 16-160l/h 25-250l/h 40-400l/h 60-600l/h	±4%	0-60	≤0.6	L	D1	D2	D3	L	D1	D2	D3	15
							320	14	65	95	241	14	65	95	
							470								
LZS-20	15						14	75	105	241	14	75	105	20	
							320								
LZS-25	25	100-1000l/h 160-1600l/h 250-2500l/h	100-1000l/h 160-1600l/h 250-2500l/h				16	85	115	281	16	85	115	25	
							432								
LZS-32	32		0.4-4m³/h 0.6-6m³/h								355	17	100	140	
LZS-40	40	0.4-4m³/h (with leader) 0.6-6m³/h (with leader) 1-10m³/h (with leader)					570	18	110	150	500	18	110	150	40
LZS-50	50	0.4-4m³/h 0.6-6m³/h 1-10m³/h 1.6-16m³/h	0.4-4m³/h 0.6-6m³/h 1-10m³/h 1.6-16m³/h				520	18	125	165	430	18	125	165	50
							570								
LZS-65	65	with leader	2.5-16m³/h 5-25m³/h 8-40m³/h 12-60m³/h								530	18	145	185	65
LZS-80	65		2.5-16m³/h 5-25m³/h 8-40m³/h 12-60m³/h								540	18	160	200	80
LZS-100	100	14-90m³/h 18-120m³/h 20-150m³/h 25-180m³/h 25-200m³/h	14-90m³/h 18-120m³/h 20-150m³/h 25-180m³/h 25-200m³/h				550	18	180	215	510	18	180	215	100
LZS-125	125						550	18	210	250	510	18	210	250	125
LZS-150	150						560	22	240	280	510	22	240	280	150

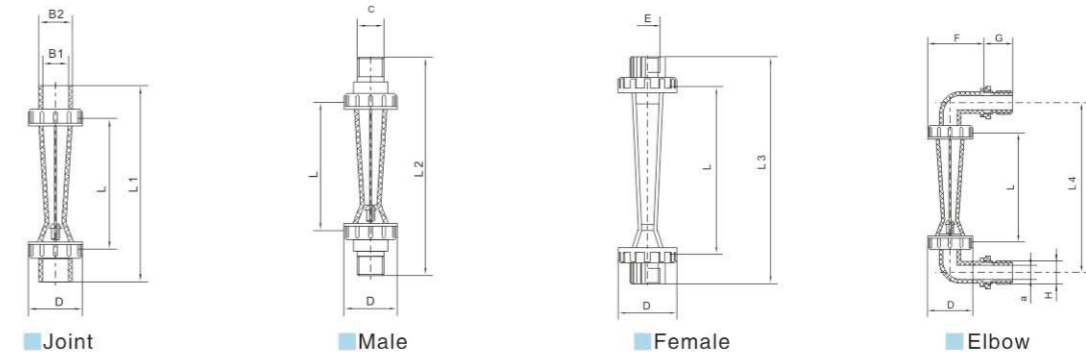
The material of LZS-part

Taper tube is AS, Pipe, Screw Cap, Setting, Float is ABS, LZS-C: Long Tube Type, LZS-D: Short Tube Type
Note: Long Tube Type Without Leader, Short Tube Type With Leader

LZS-Durable Plastic Tube Type Flowmeter

LZS-E/G

Polysulfone (PSU) or PC body, Fittings made of PVC ABS or SS Floats Capable of withstanding higher temperatures, Thread joint and panel-mounted fittings are easy to install, economical and durable.



LZS-E/G Datasheet

Model	DN	Range			Accuracy	Temp °C	Pressure
		GPM	LPM	m³/h			
LZS-15E	15	0.1-1	0.5-4	10-100l/h	±4%	0-60	≤0.6MPa
LZS-15G		0.2-2	1-7	16-160l/h			
LZS-15EC		0.5-5	1.8-18	25-250l/h			
LZS-15GC	15	0.1-1	0.5-4	40-400l/h			
		0.2-2	1-7	50-500l/h			
LZS-25E	25	0.2-2	1-7	60-600l/h			
		0.5-5	1.8-18	100-1000l/h			
LZS-25G	25	0.8-8	3-30	0.25-2.5			
		1-10	4-40	0.16-1.6			
LZS-32E	32	1.2-12	5-50	0.4-4			
		2-20	8-80	0.6-6			
LZS-32G	32	2.5-25	10-100	0.6-6			
LZS-50E	50	2.5-25	10-100	0.4-4			
		5-45	20-180	0.6-6			
LZS-50G	50	7-70	25-250	1-10			
				1.6-16			
LZS-65E	65	25-110	80-400	5-25			
		40-160	150-650	8-40			
LZS-65G	65	50-250	200-1000	12-60			



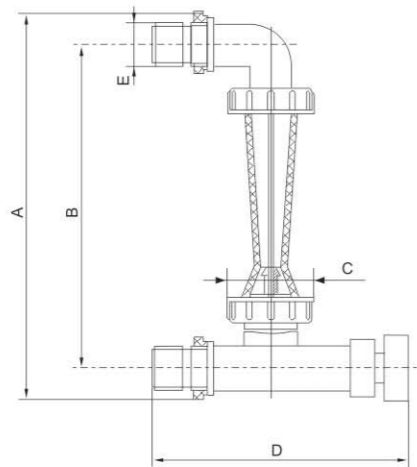
LZS-E/G Dimensions for Installation

Model	L	D	Joint			Male		Female		Elbow				
			L1	B1	B2	L2	C	L3	E	L4	F	G	A	H
LZS-15E LZS-15G	100	Φ42	150	Φ20	Φ26	170	1/2"BSP 1/2"NPT	/	/	155	52	27	Φ13	1/2"BSP 1/2"NPT
LZS-15EC LZS-15GC	160	Φ50	210	Φ20	Φ26	225	1/2"BSP 1/2"NPT	210	1/2"BSP 1/2"NPT	220	56	27	Φ13	1/2"BSP 1/2"NPT
LZS-25E LZS-25G	170	Φ59	230	Φ32	Φ39	250	3/4"NPT	225	3/4"BSP 3/4"NPT	270	70.5	28	Φ20	3/4"BSP 3/4"NPT
LZS-32E LZS-32G	225	Φ72	290	Φ40	Φ49	310	1"NPT	290	1"BSP 1"NPT	345	86	35	Φ26	1"BSP 1"NPT
LZS-50E LZS-50G	290	Φ98	375	Φ63	Φ73	400	2"NPT	370	2"NPT	440	109	40	Φ45	2"BSP 2"NPT
LZS-60E LZS-65G	325	Φ120	420	Φ75	Φ89	445	2 1/2"NPT	420	2 1/2"NPT	/	/	/	/	/

LZS-Durable Plastic Tube Type Flowmeter

LZS-E/G Material Datasheet

Model	Joint	Male	Female	Elbow	Float
LZS-15E(T) LZS-15G(T)	PVC	PA6	/	PVC	316
LZS-15EC(T) LZS-15GC(T)	PVC	PA6	PA66	PVC	316
LZS-25E LZS-25G	PVC	PA6	PA66	PVC	ABS,304
LZS-32E LZS-32G	PVC	PA6	PA66	PVC	ABS,304
LZS-50E LZS-50G	PVC	PA6	PA66	PA6	ABS,304
LZS-65E LZS-65G	PVC	PA6	PA66	/	ABS



LZS-ET/FT

Corrosion Resistant molded polysulfone (PSU) or PC capable of withstanding higher temperatures. value control fittings are easy to install,economical and durable.

LZS-ET/GT Datasheet

Model	DN	Range		Accuracy	Temp°C	Pressure	Size(mm)				
		GPM	LPM				A	B	C	D	E
LZS-15ET LZS-15GT	15	0.1-1	0.5-4	±4%	0-60°C	≤1MPa	187	157	Φ42	125	1/2"NPT
		0.2-2	1-7		0-100°C						1/2"BSP
		0.5-5	1.8-18								
LZS-15ECT LZS-15GCT	15	0.1-1	0.5-4		0-60°C		250	220	Φ50	125	1/2"NPT
		0.2-2	1-7		0-100°C						1/2"BSP
		0.5-5	1.8-18								

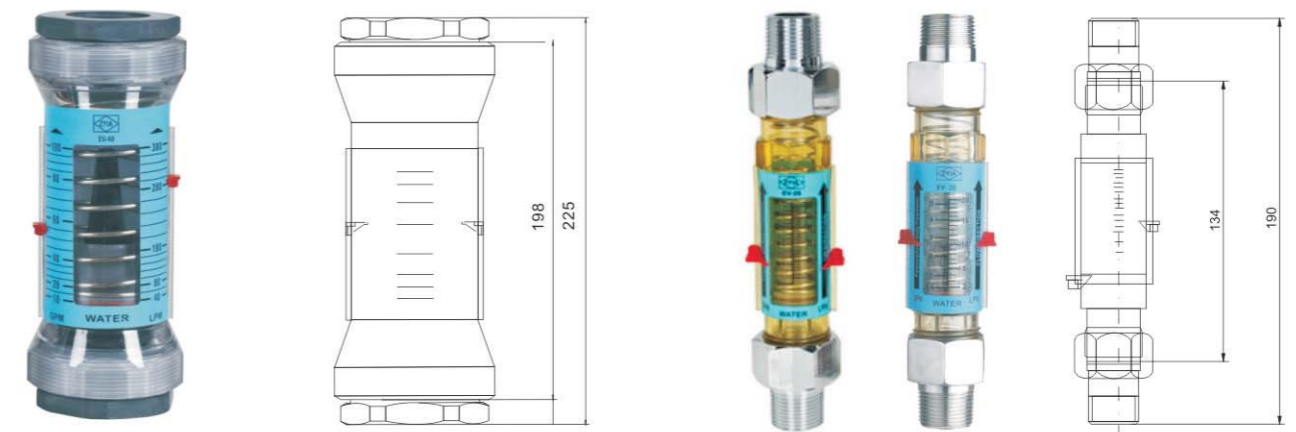
EV Series Plastic Tube Type Flowmeter

EV Series

The flow meter construction is made of high strength engineering plastics (PC Polycarbonate or polysulphone).Which is high temperature resistant and corrosion-proof,allows multiple locations of installation.It bears high pressure, I.e.working pressure 1.0mpa; Working Pressure:≤1.0Mpa Temperature:PC:0-80°C PSU:0-120°C Accuracy:±6%

Technical Parameters of EV Series Tube Type Flow Meter

Model	Range				Thread	Material
	Water 20°C		Air 101325pa20°C			
	GPM	LPM	GPM	LPS		
EV	0.5-5	2-20	80-320	5-20	1/2"NPT、BSPT、BSP(M、F) 3/4"NPT、BSPT、BSP(M、F) 1"NPT、BSPT、BSP(M、F)	BRASS SS PP PVC
15	1-7	4-26	10-30			
20	1-16	4-35	15-45			
25	3-18	15-65	20-70			
EV	3-25	12-90	250-1500	15-95	1 1/2"NPT、BSPT、BSP (F) 2"NPT、BSPT、BSP (F)	
40	5-50	20-200	20-140			
50	8-80	30-280	25-275			



LZB Glass Tube Rotameter

LZB-4/6/10 F4 Series

LZB-4/6/10F4 ALL the anticorrosive glass rotameter flowmeters existed in the former market were some kinds of replacer, which were made of stainless steel, and these flowmeters couldn't perform the function of anticorrosive indeed. In order to flowmeter recently, whose main material is PTFE. At the same time, we succeeded in making the flow regulating valve by PTFE, which makes the glass rotameter with small diameter and also has the function of antiseptis. Regarding this product's design and manufacture, we have obtained the patent from issued by the State Intellectual Property Property Office of P.R.China, and the patent. NO: 200620122839.3

Technical Parameters of LZB-4/6/10F4 Series Flow Meter

Model	LZB-4 F4	LZB-6 F4	LZB-10 F4
Diameter (mm)	Φ4	Φ6	Φ10
Range	Liquid l/h	1-10 1.6-16 2.5-25	2.5-25 4-40 6-60
	Gas m ³ /h	0.016-0.16 0.025-0.25 0.04-0.4	0.04-0.4 0.06-0.6 0.1-1
		6-60 16-160	0.1-1 0.16-1.6 0.25-2.5
Accuracy (±%)	4	4	4
Pressure (MPa)	≤0.6	≤0.6	≤0.6

Dimensions of LZB-4F4/6F4/10F4

Model	Dimensions (mm)						
	A	B	C	D1	D2	E	F
LZB-4F4	80	120	150	(F)1/4"BSP	Φ9	37.5×34	2-M6
LZB-6F4	80	120	150	(F)1/4"BSP	Φ9	37.5×34	2-M6
LZB-10F4	80	120	150	(F)1/4"BSP	Φ9	37.5×34	2-M6

LZB-4WB/6WB/10WB Series Glass Rotameter

LZB-WB consists of three(3) specifications including Φ6 and Φ10. Being small and cute, this flowmeter is suitable for application in limited space e.g. analysis instruments, environmental protection equipment, medical apparatuses among other testing devices.

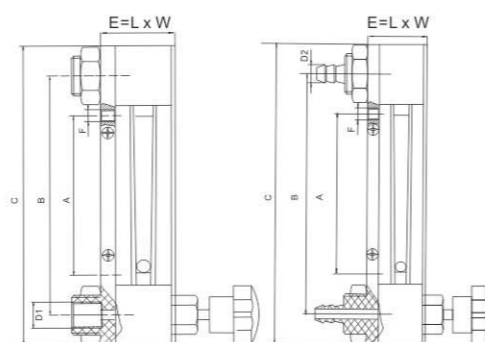
Technical Parameters of LZB-4WB/6WB/10WB

Model	Range		Accuracy	Working Pressure	Working Temperature
	Water l/min	Air l/min			
LZB-4WB	16-160ml/min	0.3-3	±4%	≤1MPa	0-60℃
	25-250ml/min	0.6-6			
LZB-6WB	0.04-0.4	0.7-7	±2.5%	≤1MPa	0-60℃
	0.06-0.6	1-10			
LZB-10WB	0.1-1	1.5-15	±2.5%	≤1MPa	0-60℃
	0.16-1.6	3-30			

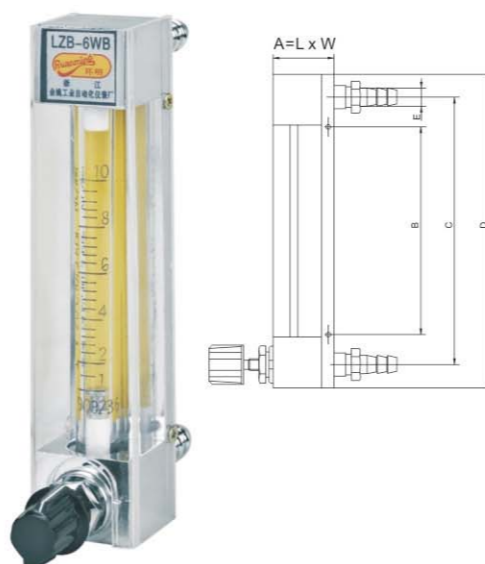
WB: With regulator W: Without regulator

Dimension of LZB-4WB/6WB/10WB

Model	Dimensions (mm)				
	A	B	C	D	E
LZB-4WB	26×25	90	116	136	Φ8
LZB-6WB	28×25	90	116	136	Φ11
LZB-10WB	28×25	90	140	160	Φ11



■ Threaded connection ■ Hose connection



LZB Glass Tube Rotameter

LZB-3/4/6/10 Series

Glass rotameter is used to measure the instantaneous one-way nonpulsating Flux of liquid or gases in pipes. Fields such as chemical, petroleum, medicine, fertilizer, food, sugar refinery, paper marking, light industry, textile, printing and dyeing, environmental protection etc. PTFE, the high quality corrosion resistant material is used at the main contact parts of the corrosion resistant glass rotameter to contact the medium. It has a very good performance of corrosion resistance in measuring various kinds of acid flow (except for hydrofluoric acid), alkali, oxidant, strong oxidation acid, organic solvent and other erosive gases and liquids.

Technical Parameters of LZB-Series Glass Rotameter

Model Diameter (mm)	LZB-3	LZB-4	LZB-6	LZB-10	
	Φ3	Φ4	Φ6	Φ10	
Range	Liquid l/h	2.5-25ml/min	1-10	★1-10	6-60
		4-40ml/min	1.6-16	★100-800ml/min	10-100
		6-60ml/min			
		★10-80ml/min	2.5-25	4-40	16-160
		10-100ml/min	★3.6-36	6-60	★25-250
Range	Gas Nm ³ /h	0.03-0.3l/min	★0.2-2.5l/min	0.04-0.4	0.1-1
		0.06-0.6l/min			0.16-1.6
		0.1-1l/min	0.016-0.16	0.06-0.6	0.25-2.5
		0.15-1.5l/min	0.025-0.25	★1-10l/min	★5-50l/min
		★0-100l/h	0.04-0.4	0.1-1	★0.5-5 ★0.6-6 ★0.6-7
Accuracy (±%)	4, 6	2.5, 4	2.5	2.5	
Pressure (MPa)	≤0.6	≤1	≤1	≤1	

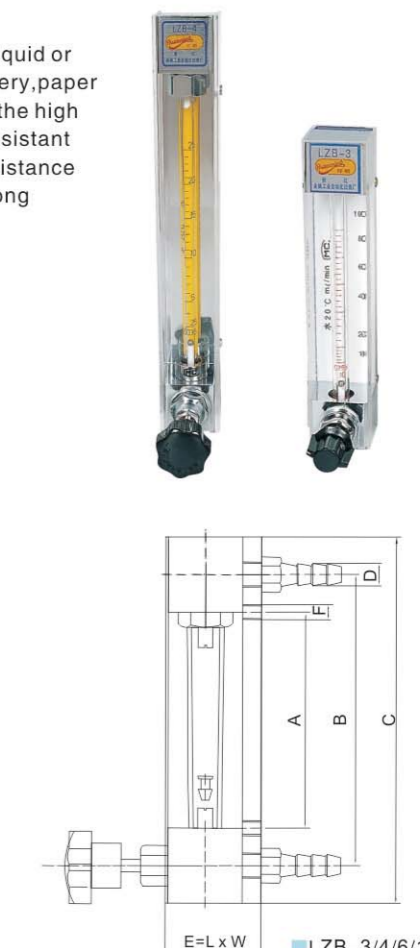
Range with ★ represents customer tailored special range.

Dimensions of LZB-3/4/6/10(include Model F,S,B) Flow Meter

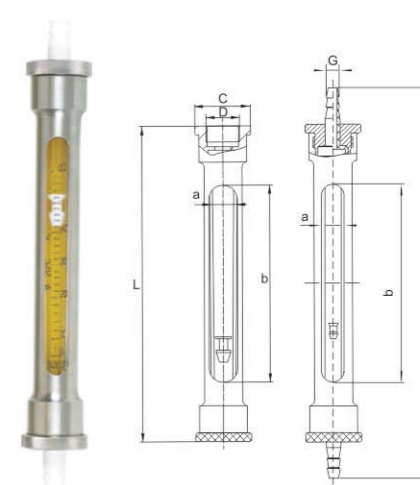
Model	Dimensions (mm)					
	A	B	C	D	E	F
LZB-3		116	136	Φ8	26×25	
LZB-4	178	204	234	Φ9	39.5×34	2-M6
LZB-6	178	204	234	Φ9	39.5×34	2-M6
LZB-10	178	208	238	Φ12	39.5×34	2-M6

Dimensions of LZB-4G/6G/10G Tube Type Flow Meter

Model	Threaded Connection				Hose Connection		
	L	a × b	C	D	L1	a × b	G
LZB-4G LZB-6G	198	12×123	Φ35	1/4"BSP	240	12×123	Φ8
LZB-10G	198	14×123	Φ35	1/2"BSP	240	14×123	Φ11



■ LZB-3/4/6/10



■ LZB-4G/6G/10G

LZB Glass Tube Rotameter

Technical Parameters of LZB-B Series Glass Rotameter

Model	LZB-15B	LZB-25B	LZB-40B	LZB-50B	LZB-80B	LZB-100B	LZB-100B	
Diameter (mm)	Φ15	Φ25	Φ40	Φ50	Φ80	Φ100	Φ100	
Range	Liquid l/h	★6-60	40-400	160-1600	★160-1600	1-10 m ³ /h	5-25 m ³ /h	★20-90 m ³ /h
		★8-80	60-600	★180-1800	400-4000	1.6-16 m ³ /h	★6-35 m ³ /h	★20-100 m ³ /h
		16-160	100-1000	250-2500	600-6000	★2-20 m ³ /h	8-40 m ³ /h	★30-100 m ³ /h
		25-250	★160-1600	★300-3000	★800-8000	★3-25 m ³ /h	★12-60 m ³ /h	★50-120 m ³ /h
		40-400		★400-4000	★1-10 m ³ /h	★8-40 m ³ /h	★16-80 m ³ /h	
	Gas m ³ /h			★1-5 m ³ /h	★4-16 m ³ /h			
				★1.5-6 m ³ /h				
		0.25-2.5	★0.8-8	4-40	★6-60	50-250	★60-200	★300-1500
		0.4-4	1-10	★5-50	10-100	80-400	★80-400	★300-1600
		0.6-6	1.6-16	6-60	16-160	★750-7500l/min	★100-500	★400-2000
	★0.8-8	★7-70	★20-200	★60-600	120-600	★500-2500		
	★1-10	★3-30	★8-80	★30-300		200-1000		
		★4-40	★10-100	★50-250				
			★80-400					
Accuracy (±%)	2.5	1.5	1.5	1.5	1.5	1.5	1.5	
Pressure (MPa)	≤0.6	≤0.6	≤0.6	≤0.6	≤0.4	≤0.4	≤0.4	

Range with ★ represents customer tailored special range.

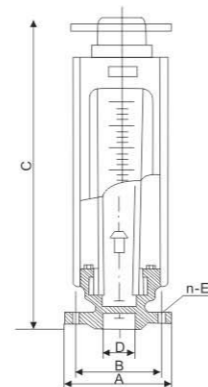
Technical Parameters of LZB-BF Series Glass Rotameter

Model	LZB-15BF	LZB-25BF	LZB-40BF	LZB-50BF	LZB-80BF	LZB-100BF	
Diameter (mm)	Φ15	Φ25	Φ40	Φ50	Φ80	Φ100	
Range	Liquid l/h	16-160	40-400	160-1600	400-4000	1-10 m ³ /h	5-25 m ³ /h
		25-250	60-600	250-2500	600-6000	1.6-16 m ³ /h	8-40 m ³ /h
		40-400	100-1000				
	Gas m ³ /h	0.25-2.5	1-10	4-40	10-100	50-250	120-600
		0.4-4	1.6-16	6-60	16-160	80-400	200-1000
	0.6-6	2.5-25					
Accuracy (±%)	4	2.5	2.5	2.5	2.5	2.5	
Pressure (MPa)	≤0.6	≤0.6	≤0.6	≤0.6	≤0.4	≤0.4	



The Drawing and Installation Dimensions of LZB- (Ind. Model F · S · B)

Model	Dimensions (mm)				
	A	B	C	D	n-E
LZB-15	Φ95	Φ65	470±2.5	Φ15	4-Φ14
LZB-25	Φ115	Φ85	470±2.5	Φ25	4-Φ14
LZB-40	Φ145	Φ110	570±3	Φ40	4-Φ18
LZB-50	Φ160	Φ125	570±3	Φ50	4-Φ18
LZB-80	Φ185	Φ150	660±3.5	Φ80	4-Φ18
LZB-100	Φ205	Φ170	660±3.5	Φ100	4-Φ18



Note: Made LZB-15 no leader

LZB Glass Tube Rotameter

Technical Parameters of LZB-Series Glass Rotameter

Model	LZB-15	LZB-25	LZB-40	LZB-50	LZB-80	LZB-100	LZB-100	
Diameter (mm)	Φ15	Φ25	Φ40	Φ50	Φ80	Φ100	Φ100	
Range	Liquid l/h	★6-60	40-400	160-1600	★160-1600	1-10 m ³ /h	5-25 m ³ /h	★20-90 m ³ /h
		★8-80	60-600	★180-1800	400-4000	1.6-16 m ³ /h	★6-35 m ³ /h	★20-100 m ³ /h
		16-160	100-1000	250-2500	600-6000	★2-20 m ³ /h	8-40 m ³ /h	★30-100 m ³ /h
		25-250	★160-1600	★300-3000	★800-8000	★3-25 m ³ /h	★12-60 m ³ /h	★50-120 m ³ /h
		40-400		★400-4000	★1-10 m ³ /h	★8-40 m ³ /h	★16-80 m ³ /h	
	Gas m ³ /h			★1-5 m ³ /h	★4-16 m ³ /h			
				★1.5-6 m ³ /h				
		0.25-2.5	★0.8-8	4-40	★6-60	50-250	★60-200	★300-1500
		0.4-4	1-10	★5-50	10-100	80-400	★80-400	★300-1600
		0.6-6	1.6-16	6-60	16-160	★750-7500l/min	★100-500	★400-2000
	★0.8-8	★7-70	★20-200	★60-600	120-600	★500-2500		
	★1-10	★3-30	★8-80	★30-300		200-1000		
		★4-40	★10-100	★50-250				
			★80-400					
Accuracy (±%)	2.5	1.5	1.5	1.5	1.5	1.5	1.5	
Pressure (MPa)	≤0.6	≤0.6	≤0.6	≤0.6	≤0.4	≤0.4	≤0.4	



Technical Parameters of LZB-F Series Glass Rotameter

Model	LZB-15F	LZB-25F	LZB-40F	LZB-50F	LZB-80F	LZB-100F	
Diameter (mm)	Φ15	Φ25	Φ40	Φ50	Φ80	Φ100	
Range	Liquid l/h	16-160	40-400	160-1600	400-4000	1-10 m ³ /h	5-25 m ³ /h
		25-250	60-600	250-2500	600-6000	1.6-16 m ³ /h	8-40 m ³ /h
		40-400	100-1000				
	Gas m ³ /h	0.25-2.5	1-10	4-40	10-100	50-250	120-600
		0.4-4	1.6-16	6-60	16-160	80-400	200-1000
	0.6-6	2.5-25					
Accuracy (±%)	4	2.5	2.5	2.5	2.5	2.5	
Pressure (MPa)	≤0.6	≤0.6	≤0.6	≤0.6	≤0.4	≤0.4	



Technical Parameters of LZB-S Series Glass Rotameter

Model	LZB-10S	LZB-15S	LZB-25S	LZB-40S	LZB-50S	LZB-80S
Diameter (mm)	10	15	25	40	50	80
Liquid l/h	10-100	2-70	100-400	120-1500	450-7000	1.5-15 m ³ /h
		2-90	70-700	200-2000	450-8000	2-20 m ³ /h
		4-90	100-700	300-1750	700-7000	7-30 m ³ /h
			6-105			7-31.5 m ³ /h
Accuracy (±%)	1.5	1.5	1.5	1.5	1.5	1.5
Pressure (MPa)	≤1.0	≤0.6	≤0.6	≤0.6	≤0.6	≤0.4

Media contacting parts of corrosion resistant flowmeter is made of:
 High boron silicon glass for tube;
 PTFE for float and leader;
 F46 for o-ring.

LZB Glass Tube Rotameter

LZB-DK100/DK 200 Series

Fitting of this series is high precision flowmeteris made of SS304 or aluminium,It is applicable to integration of measuring equipment, and sevice of research department etc.The design with panel permits easy installatcion.

Working Pressure : $\leq 0.8\text{Map}$

Working Temperature: $\leq 120^\circ\text{C}$

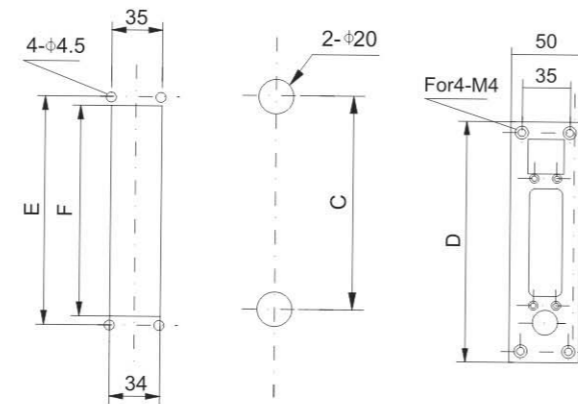
Technical Parmeters of LZB-DK100/DK200 Series

Water (L/min)	Air (NL/min)	Thread	Accuracy
20-200ml/min	0.3-3	(F) 1/8"NPT	$\pm 2.5\%$
30-300ml/min	0.5-5		
50-500ml/min	1-10	(F) 1/4"NPT (F) 1/4"BSP	
0.1-1	2-20		
0.15-1.5	3-30		
0.2-2	5-50		



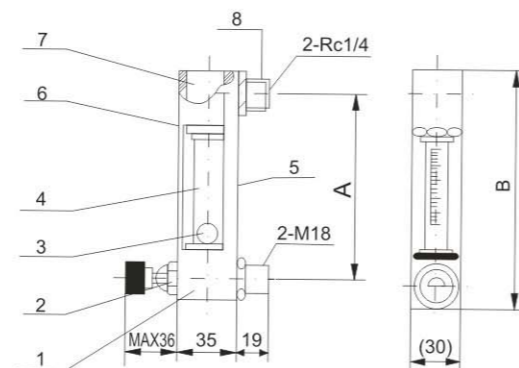
The material and code of the parts

No	Part Name	Material	Quantity
1	Needle valve	LY11	2
2	Base	SS304	1
3	Float	SS304 or Agate	1
4	Measure Tube	Borosilicate glass	1
5	Backboard	LY11	1
6	Outer Housing	Acrylic	1
7	Inserts	SS304	1
8	Fittings	SS304	2



LZB-DK100/DK200 Dimensions for Installation

Size (mm)	DK100	DK200
A	115	200
B	140	225
C	115	200
D	175	255
E	160	283
F	145	227



LZB Glass Tube Rotameter

LZB-DK 300 Series

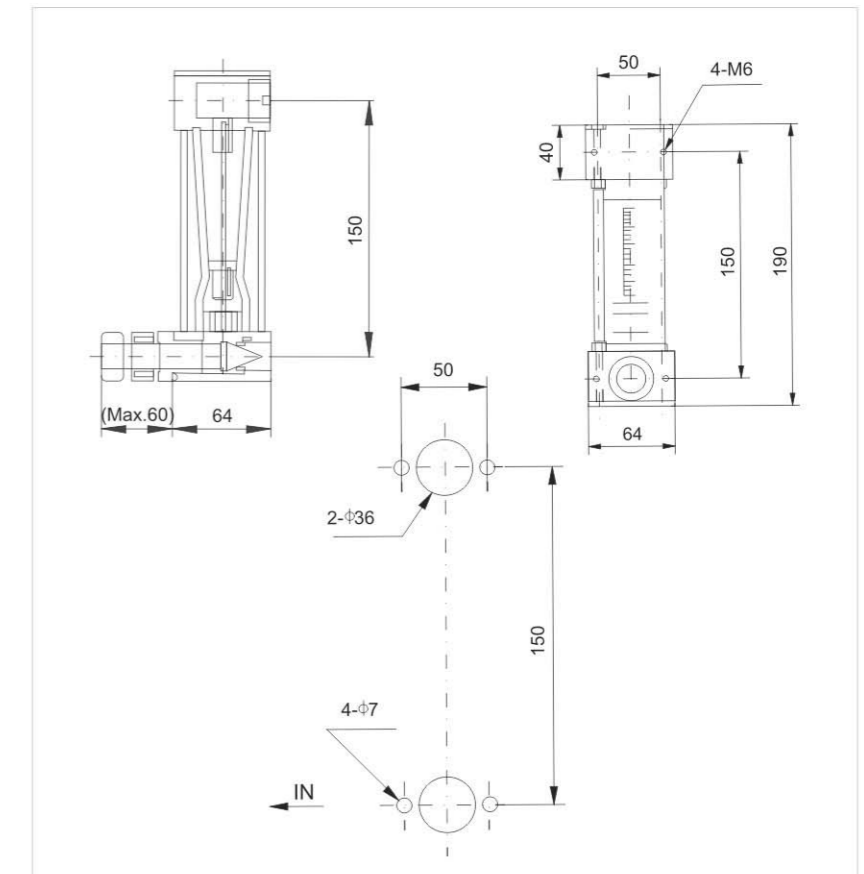
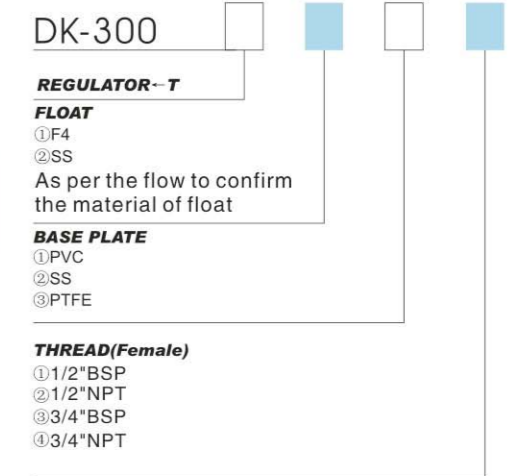
DK-300 Seres glass rotameter is consisted of a tapered glass tube,base plates on both ends and four holding studs.Easy installation,thread assembled and equipped with flow control valves. It is suitable for the small or large capacity flow measuring.Especially in semi-conductor chemical fluid etc.

Working Pressure: $\leq 0.6\text{Mpa}$

Working Temperature:PVC(max60°C) PTFE(max80°C) SS304(MAX120°C)

Technical Parameters of LZB-DK300 Series

Model	Range (L/min)		Thread	Accuracy
	Water 20°C	Air101KPa 20°C		
DK-300 Or DK-300T	1-10	40-400	1/2"BSP 1/2"NPT 3/4"BSP 3/4"NPT	$\pm 5\%$
	2-20	60-600		
	3-30	90-900		
	4-40	120-1200	3/4"BSP 3/4"NPT	
	5-50	150-1500		
	12-60	400-1800		



LZB Glass Tube Rotameter

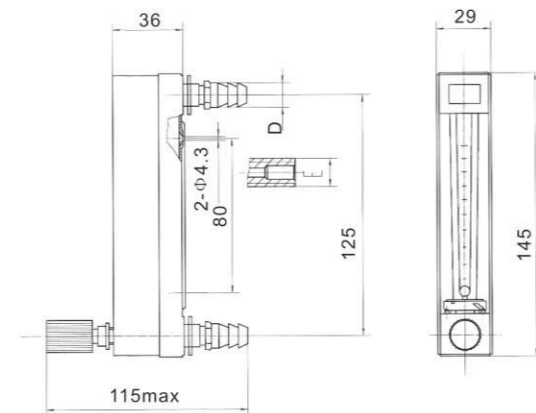
LZB-DK800

DK800 series glass rotameter, The compacted flowmeter is suitable for measuring and regulating small flowrate. Smart design permits convenient replacement Of (tapered glass) tube and float with the flowmeter staying in the pipe run. It can be connected to either Hoses or metal pipes.

Main Technical Parameters

Model	Diameter (mm)	Range (L/h)		Accuracy (± %)	Media State		D	E	Outer Diameter Of Metal Pipe (mm)
		Water 20 °C	Air 101325Pa2°C		Working Temperature	Working Pressure			
DK800-4 DK800-4F	4	0.25-2.5	0.5-5 0.8-8 1.6-16 4-40 6-60	2.5	-20°C~ +120°C	≤1.0MPa	Φ11	M10×1	Φ6
DK800-6 DK800-6F	6	0.5-5 1.2-12 2.5-25 4-40 6-60 10-100 16-160	10-100 25-250 50-500 80-800 100-1000 180-1800 240-2400 300-3000 350-3500 430-4300						

Note: Model with "F" : Corrosion Resistant Model



LZB Glass Tube Rotameter

This Series of flowmeter is made of SS304. There are female Screw thread, Flange Connection and Tri-clamp connection for choice. It is featured in nice looking and low weight.

Main Technical Parameters

Model	Diameter (mm)	Range (L/h)		Accuracy (± %)	Temperature	Working Pressure
		Water 20 °C	Air 101325Pa20°C (m³/h)			
VA 30S-15 FA 30S-15 WA 30S-15	15	4-40 10-100 16-160 25-250 36-360 46-460 65-650	6.3-63 12-120 20-200 30-300 40-400 63-630 75-750	0.12-1.2 0.3-3 0.5-5 0.8-8 1.2-12	0.2-2 0.4-4 0.6-6 0.9-9 2-20	≤1.0MPa
VA 30S-25 FA 30S-25 WA 30S-25	25	40-400 63-630 100-1000 160-1600 250-2500	50-500 80-800 120-1200 200-2000 300-3000	1.6-16 2.5-25 4-40 6-60	2-20 3-30 5-50	≤0.9MPa
VA 30S-40 FA 30S-40 WA 30S-40	40	160-1600 250-2500 400-4000	200-2000 300-3000 500-5000	5-50 8-80 12-120	6-60 9-90	≤0.7MPa
VA 30S-50 FA 30S-50 WA 30S-50	50	250-2500 400-4000 630-6300 1000-10000 4000-16000	300-3000 500-5000 800-8000 1500-15000	10-100 16-160 30-300	12-120 20-200	

LZB-VA 30S Glass Tube Rotameter Outline Dimensions (mm)

Diameter (mm)	Display window size a × b	VA30S Threaded Connection		
		L1	C	D
15	26×236	344	Φ38	1/2"BSP
25	34×226	348	Φ55	1"BSP
40	44×226	370	Φ70	1 1/2"BSP
50	60×216	380	Φ90	2"BSP



LZB-FA 30S Glass Tube Rotameter Outline Dimensions (mm)

Diameter (mm)	Display window size a × b	FA30S Flange Connection			
		L2	E	F	n-G
15	26×236	348	Φ65	Φ95	4-Φ14
25	34×226	348	Φ85	Φ115	4-Φ14
40	44×226	370	Φ110	Φ145	4-Φ18
50	60×216	370	Φ125	Φ160	4-Φ18



LZB-WA30S Glass Tube Rotameter Outline Dimensions (mm)

Diameter (mm)	Display window size a × b	WA30S Tri-clamp Connection		
		L3	J	K
15	26×236	376	50.5	3/4"
25	34×226	376	50.5	1"
40	44×226	376	50.5	1 1/2"
50	60×216	376	64	2"



LZB Glass Tube Rotameter

LZB-FA100 Series

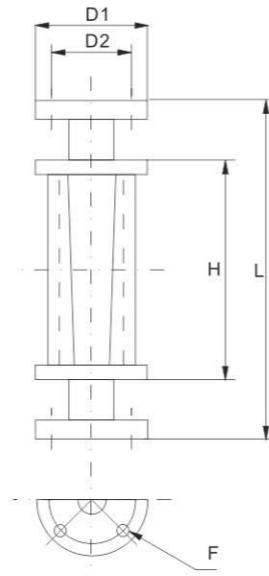
LZB-FA100 Glass Rotator Flowmeter, This flowmeter is highly sensitive and works in a wide range with low pressure loss, besides other advantages e.g. easy to operate etc. It is usually used for low pressure, high temperature sheer liquid or gases without suspending particles and has been widely employed in various industries e.g. petroleum, chemicals, electronics, environmental protection, power supply and medicine etc.

Working Temperature: SS304 ≤ 120°C
 Accuracy: ± 3% F.S
 Range Rate: 10:1



Main Technical Parameters

Diameter (mm)	Range		Working Pressure (Mpa)
	Water (L/h)	Air (NL/min)	
15	30-300 60-600 80-800	10-100 20-200 25-250	≤ 0.8
20	90-900 120-1200 180-1800	20-200 30-300 50-500	
25	180-1800 300-3000 480-4800	50-500 100-1000 150-1500	
32	480-4800 600-6000 720-7200	200-2000 250-2500 300-3000	≤ 0.6
40	1-10 m³/h 1.2-12 m³/h 1.5-15 m³/h	18-180 Nm³/h 20-200 Nm³/h 25-250 Nm³/h	
50	1.2-12 m³/h 1.5-15 m³/h 1.8-18 m³/h	20-200 Nm³/h 25-250 Nm³/h 30-300 Nm³/h	
65	1.8-18 m³/h 3-30 m³/h 4-40 m³/h	25-250 Nm³/h 35-350 Nm³/h 40-400 Nm³/h	≤ 0.4
80	4-40 m³/h 5-50 m³/h 6-60 m³/h	40-400 Nm³/h 50-500 Nm³/h 60-600 Nm³/h	
100	6-60 m³/h 7-70 m³/h 10-100 m³/h	60-600 Nm³/h 70-700 Nm³/h 90-900 Nm³/h	



LZB-FA100 Outline and Installation Dimensions (mm)

Model	FA100-15	FA100-20	FA100-25	FA100-32	FA100-40	FA100-50	FA100-65	FA100-80	FA100-100
L	260	340	340	340	340	340	390	390	410
H (Glass tube length)	150	200	200	200	200	200	250	250	250
D1	95	105	115	135	145	160	180	185	205
D2	65	75	85	100	110	125	145	150	170
F	4-Φ14	4-Φ14	4-Φ14	4-Φ18	4-Φ18	4-Φ18	4-Φ18	4-Φ18	4-Φ18

LZB Glass Tube Rotameter

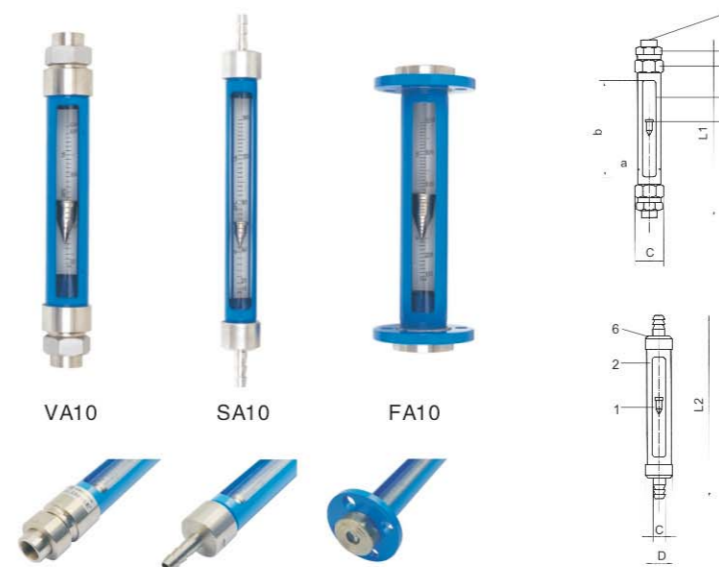
LZB-VA/SA/FA10 Series

This is a highly accurate glass rotameter with diversified joints and various options of scalings from to percentage. VA10 is threaded connection. SA10 is hose connection, FA10 is movable flange connection.

Main Technical Parameters

Model	Diameter (mm)	Range		Accuracy (± %)	Working Temperature	Working Pressure	
		Water 20°C (L/h)	Air 101325Pa20°C (m³/h)				
VA 10-15 SA10-15 FA 10-15	15	4-40 10-100 16-160 25-250 36-360 46-460 65-650	6.3-63 12-120 20-200 30-300 40-400 63-630 75-750	0.12-1.2 0.3-3 0.5-5 0.8-8 1.2-12	0.2-2 0.4-4 0.6-6 0.9-9 2-20	≤ 1.0MPa	
VA 10-25 SA 10-25 FA 10-25	25	40-400 63-630 100-1000 160-1600 250-2500	50-500 80-800 120-1200 200-2000 300-3000	1.6-16 2.5-25 4-40 6-60	2-20 3-30 5-50		-20~+60°C or -20°C~+120°C
VA 10-40 SA 10-50 FA 10-50	40	160-1600 250-2500 400-4000	200-2000 300-3000 500-5000	5-50 8-80 12-120	6-60 9-90		
VA 10-50 SA 10-50 FA 10-50	50	250-2500 400-4000 630-6300 1000-10000 4000-16000	300-3000 500-5000 800-8000 1500-15000	10-100 16-160 30-300	12-120 20-200	≤ 0.7MPa	

Note: Model with "F" : corrosion resistant model, e.g VA10-15F



Material of 10 Series

No.	Material	No.	Material
1	SS304 SS316	5	SS304, 45#
2	45#	6	SS304, AL
3	AL or SS304	7	SS304, 45#
4	45# or SS304	8	AL, SS304

VA 10 Outline Dimension

Diameter (mm)	Display window size a x b	VA10 Threaded Connection		
		L1	C	Thread
15	26 × 230	408	53	1/2" BSP
25	40 × 230	414	75	1" BSP
40	40 × 230	428	92	1 1/2" BSP
50	50 × 230	431	116	2" BSP

SA 10 Outline Dimension

Diameter (mm)	Display window size a x b	SA 10 Hose Connection		
		L2	C	D
15	26 × 230	400	Φ13.5	Φ44
25		450	Φ27	Φ65
40	Φ44		Φ80	
50	Φ53		Φ103	

FA 10 Outline Dimension

Diameter (mm)	Display window size a x b	FA10 Flange Connection			
		L3	C	D	E
15	26 × 230	320	Φ65	Φ95	4-Φ14
25			Φ85	Φ115	
40	40 × 230		Φ110	Φ145	4-Φ18
50	50 × 230	Φ125	Φ160		

LZB Glass Tube Rotameter

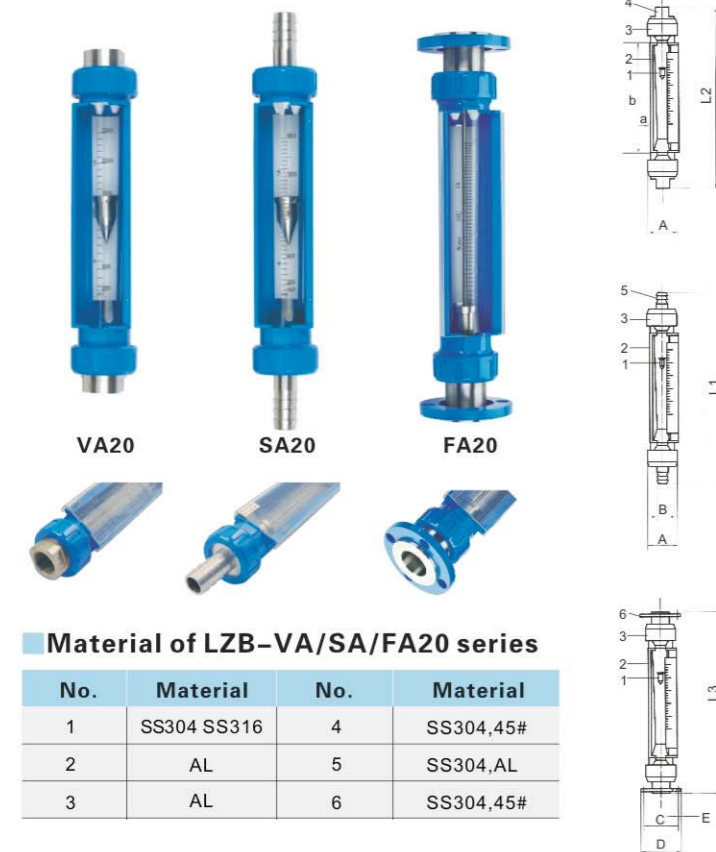
LZB-VA/SA/FA20 Series

This is a highly accurate glass rotameter with diversified joints and various options of scalings from to. Percentage. VA20 is threaded connection, SA20 is hose connection, FA20 is movable flange connection.

Main Technical Parameters

Model	Diameter (mm)	Range		Accuracy (± %)	Working Temperature	Working Pressure
		Water 20°C (L/h)	Air 101325Pa20°C (m³/h)			
VA 20-15 SA20-15 FA20-15	15	4-40 10-100 16-160 25-250 36-360 46-460 65-650	6.3-63 12-120 20-200 30-300 40-400 63-630 75-750	0.12-1.2 0.3-3 0.5-5 0.8-8 1.2-12	0.2-2 0.4-4 0.6-6 0.9-9 2-20	≤1.0MPa
VA 20-25 SA20-25 FA20-25	25	40-400 63-630 100-1000 160-1600 250-2500	50-500 80-800 120-1200 200-2000 300-3000	1.6-16 2.5-25 4-40 6-60	2-20 3-30 5-50	≤0.9MPa
VA20-40 SA20-40 FA20-40	40	160-1600 250-2500 400-4000	200-2000 300-3000 500-5000	5-50 8-80 12-120	6-60 9-90	≤0.7MPa
VA20-50 SA20-50 FA20-50	50	250-2500 400-4000 630-6300 1000-10000 4000-16000	300-3000 500-5000 800-8000 1500-15000	10-100 16-160 30-300	12-120 20-200	≤0.7MPa

Note: Model with "F" : corrosion resistant model, e.g VA20-15F



Material of LZB-VA/SA/FA20 series

No.	Material	No.	Material
1	SS304 SS316	4	SS304,45#
2	AL	5	SS304,AL
3	AL	6	SS304,45#

VA 20 Outline Dimension

Diameter (mm)	VA20 Threaded Connection			
	Display window size a x b	L2	A	Thread
15	33x235	375	58	1/2"BSP, 1/2"NPT
25	50x240		74	1"BSP, 1"NPT
40	65x235		92	1 1/2"BSP, 1 1/2"NPT
50	85x230		112	2"BSP, 2"NPT

SA 20 Outline Dimension

Diameter (mm)	SA 20 Hose Connection			
	Display window size a x b	L1	A	B
15	33x235	400	58	17
25	50x240	450	74	30
40	65x235		92	44
50	85x230		112	54

FA 20 Outline Dimension

Diameter (mm)	FA 20 Flange Connection				
	Display window size a x b	L3	D	C	E
15	33x235	425	Φ 95	Φ 65	4-Φ 14
25	50x240		Φ 115	Φ 85	4-Φ 14
40	65x235		Φ 145	Φ 110	4-Φ 18
50	85x230		Φ 160	Φ 125	4-Φ 18

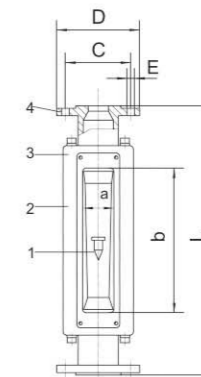
LZB Glass Tube Rotameter

LZB-GA24 Serise

This series flow meter is one type of glass rotameter, compared with the other products of the same type, it has advantages of high measuring precision, great interchangeability. We can provide mm graduation scale, percentage scale and dismountable scale, it is convenient for different users to use.



LZB-GA24 Series



LZB-GA24 Series Structure Diagram

Main Technical Parameters

Model	Diameter (mm)	Range		Accuracy (± %)	Working Temperature	Working Pressure
		Water 20°C (L/h)	Air 101325Pa20°C (m³/h)			
GA24-15 GA24-15F	15	4-40 10-100 16-160 25-250 36-360 46-460 65-650	6.3-63 12-120 20-200 30-300 40-400 63-630 75-750	0.12-1.2 0.3-3 0.5-5 0.8-8 1.2-12	0.2-2 0.4-4 0.6-6 0.9-9 2-20	≤1.0MPa
GA 24-25 GA 24-25F	25	40-400 63-630 100-1000 160-1600 250-2500	50-500 80-800 120-1200 200-2000 300-3000	1.6-16 2.5-25 4-40 6-60	2-20 3-30 5-50	≤0.9MPa
GA 24-40 GA 24-40F	40	160-1600 250-2500 400-4000	200-2000 300-3000 500-5000	5-50 8-80 12-120	6-60 9-90	≤0.7MPa
GA 24-50 GA 24-50F	50	250-2500 400-4000 630-6300 1000-10000 4000-16000	300-3000 500-5000 800-8000 1500-15000	10-100 16-160 30-300	12-120 20-200	≤0.7MPa

Note: Model with "F" : corrosion resistant model

LZB-GA24 Outline Dimension

Diameter (mm)	Display window size a x b	L	C	D	E
15	37x302	500	Φ65	Φ95	4-Φ14
25	52x294		Φ85	Φ115	
40	64x278		Φ110	Φ145	4-Φ18
50	94x266		Φ125	Φ160	

LZB-GA24 Material

NO.	Material	NO.	Material
1	SS304, SS316	4	45#, SS304,
2	45#		
3	Acrylic		

Variable Area Flowmeter With Alarm Limit Switch

1.Philosophy

Switch on/off is actually magnetic float contact open/close after magnetron bistable exciting. Alarm sound and light are based on the switch position of on/off linked to relays among other parts and elements.

2.Functions and Applications

BJ01: High Alarm Limit Switch (HA) BJ02: Low Alarm Limit Switch (LA), Both the switches of BJ01 and BJ02 are able to send relevant signals at maximum, middle and minimum flow. The switches are mounted on certain selected position of rail and whenever magnetic float reaches or passes the switch level, signals will be sent out for internal contact actuation of either opening or closing.

3.Technical Parameter

Rated Voltage: max DC24/AC24 Rated Amperage: max 0.3A Steady Current at Switches Opening or Closing: max DC0.1A

Interruption Capacity: ≤10W Insulation Impedance: >10⁹Ω Working Temperature: 0℃~+55℃ Protection Grading: IP65

Displacement (position on or off): ≤4mm

4.Precautions

1) Keep off from ambient magnetic disturbance during mounting e.g. large motors etc; 2) Flow media should be free from ferromagnetic foreign matters; 3) Ensure pipes or tubes to be mounted with the flowmeters free from any potential vibration in case switch contact actuates accidentally.

Datasheet of LZM Series Flowmeter with Alarm Limit Switches

Model	Range		Thread	Accuracy
	GPM (Liquid)	LPM (Liquid)		
LZM-25Z	1-10	5-35	(M)1"BSPT	±4%
	1-15	5-50		
	2-14	10-50		
	2-20	10-70		
	5-35	10-130		
	5-40	10-150		
	5-45	10-170		
LZM-25 LZM-25J	1.5-15	6-60	25G (F)1"BSP 40G (M)1 1/2"BSP	±4%
	3-13	10-50		
	4-24	10-100		
	5-35	10-130		
	5-45	10-170		
LZM-25G LZM-40G	1-15	5-60	25G (F)1"BSP 40G (M)1 1/2"BSP	±4%
	2-20	10-70		
	5-30	20-110		
	5-40	20-150		



Datasheet of LZS Series Flowmeter with Alarm Limit Switches

Model	Diameter (mm)	Range		Accuracy	Media conditions	
		Long Tube Style	Short Tube Style		Temp℃	Pressure(MPa)
LZS-15	15	10-100l/h 16-160l/h 25-250l/h 40-400l/h 60-600l/h	5-50l/h 10-100l/h 16-160l/h 25-250l/h 40-400l/h 50-500l/h 60-600l/h 100-1000l/h	±4%	0-60	≤0.6
LZS-25	25	100-100l/h 160-1600l/h 250-2500l/h	100-1000l/h 160-1600l/h 4-40l/min 250-2500l/h			
LZS-32	32		0.4-4m ³ /h 0.6-6m ³ /h			
LZS-50	50	0.4-4m ³ /h 0.6-6m ³ /h 1-10m ³ /h 1.6-16m ³ /h	1-10m ³ /h 1.6-16m ³ /h			
LZS-60	65		2.5-16m ³ /h 5-25m ³ /h 8-40m ³ /h 12-60m ³ /h			
LZS-100	100	14-90m ³ /h 18-120m ³ /h	14-90m ³ /h 18-120m ³ /h			
LZS-125	125	20-150m ³ /h 25-180m ³ /h	20-150m ³ /h 25-180m ³ /h			
LZS-150	150	25-200m ³ /h	25-200m ³ /h			

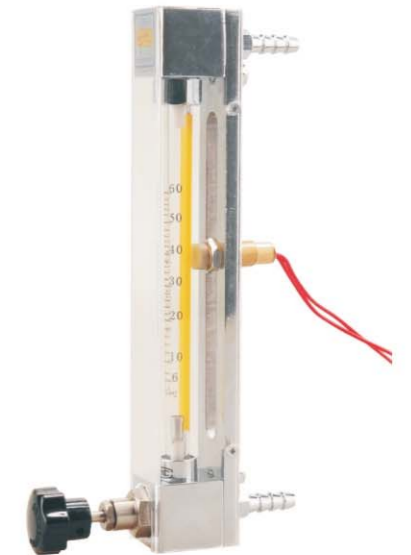


Note: If the flowmeters of LZS-100, 125, 150 requires with alarm switch can be customized

Variable Area Flowmeter With Alarm Limit Switch

Datasheet of LZB Series Flowmeters with Alarm Limit Switches

Model	LZB-10	LZB-15	LZB-25	
Diameter (mm)	Φ10	Φ15	Φ25	
Range	l/h (Liquid)	6-60	★6-60	40-400
		10-100	★8-80	60-600
		16-160	16-160	100-1000
			25-250	★160-1600
			40-400	
	N m ³ /h (Gas)	0.1-1	0.25-2.5	★0.8-8
			0.4-4	1-10
			0.6-6	1.6-16
			★0.8-8	2.5-25
			★1-10	★3-30
			★4-40	
Accuracy ± %	2.5	2.5	1.5	
Working Pressure(MPa)	≤1	≤0.6	≤0.6	



Range with ★ represents customer tailored special range.

Datasheet of LZB Series Flowmeters with Alarm Limit Switches

Model	LZB-40	LZB-50	LZB-80	LZB-100	LZB-100	
Diameter(mm)	Φ40	Φ50	Φ80	Φ100	Φ100	
Range	l/h (Liquid)	160-1600	★160-1600	1-10 m ³ /h	5-25 m ³ /h	★20-90 m ³ /h
		★180-1800	400-4000	1.6-16 m ³ /h	★6-35 m ³ /h	★20-100 m ³ /h
		250-2500	600-6000	★2-20 m ³ /h	8-40 m ³ /h	★30-100 m ³ /h
		★300-3000	★800-8000	★3-25 m ³ /h	★12-60 m ³ /h	★50-120 m ³ /h
		★400-4000	★1-10 m ³ /h	★8-40 m ³ /h	★16-80 m ³ /h	
		★1-5 m ³ /h	★4-16 m ³ /h			
	N m ³ /h (Gas)	★1.5-6 m ³ /h				
		4-40	★6-60	50-250	★60-200	★300-1500
		★5-50	10-100	80-400	★80-400	★300-1600
		6-60	16-160	★750-7500l/min	★100-500	★400-2000
	★7-70	★20-200	★6-60	120-600	★500-2500	
	★8-80	★30-300		200-1000		
	★10-100	★50-250				
		★80-400				
Accuracy ± %	1.5	1.5	1.5	1.5	1.5	
Working Pressure(MPa)	≤0.6	≤0.6	≤0.4	≤0.4	≤0.4	



Range with ★ represents customer tailored special range.

YTP-Diaphragm Seal Pressure Gauge

General

Diaphragm seal pressure gauge is suitable for measuring the pressure or vacuum of corrosion liquid that will not crystallize and solidify. or choosing diaphragm material is decided by different performance of corrosion resistant that measured medium required.

The cover is made of stainless steel housing, it is can be used adverse operating environment.

Measure Range

Threaded connection: 0-60mpa

Flange connection: 0-25mpa

Tri-clamp connection: 0-2.5mpa



Threaded connection



Flange connection



Tri-clamp connection

YTP-Diaphragm seal pressure gauge model selection

		Remark		
Z	Direct type (max medium temp<80℃)	Connector		
ZN	Damper			
SR	Radiator(Max medium Temp<200℃)			
YL	Rigid pipe connection(Max medium Temp<200℃)			
RL/X	Hose connection (X: hose connection,standard 1、2、4m)			
GL	Angle connection(Max medium Temp<150℃)			
	MF	Open male flange (≤25MPa)	Diaphragm isolator	
	MG	Shaped flange (≤4MPa)		
	ML	Screw thread type (≤60 MPa) ; Standard: M20X1.5		
	MZ	Bolt type (1~25MPa)		
	MH	Homogenizer (10~60MPa)		
	MC	Clip type (0.1~2.5MPa)		
	MN	Nut type (0.1~2.5MPa)	Diaphragm material	
		316		SS316 (0Cr17Ni12Mo2)
		316L		SS316L (00Cr17Ni14Mo2)
		Hc		Hartz alloy C-276
		Ta		Ta
		F4		PTFE
		Measure range (MPa)	Range	
		<input type="checkbox"/> <input type="checkbox"/>	Flange size and standard	
		<input type="checkbox"/>	Flange material	
			Flange specification (or screw thread)	

Bourdon Spring Pressure Gauge

YZ-Series Vacuum Pressure Gauge



Diameter	Model	Installation	Range (Mpa)	Thread	Casing Material	Accuracy						
1 1/2"	YZ-40	Bottom connection	-0.1~0.15 -0.1~0.3 -0.1~0.5 -0.1~0.9 -0.1~1.5 -0.1~2.4	G 1 / 8 " ZG1/8" Z 1 / 8 " M10×1	Steel	±2.5						
	YZ-40Z	Back connection			SS 304							
	YZ-40ZT	Back connection with border			Plastic							
2"	YZ-50	Bottom connection		-0.1~0.15 -0.1~0.3 -0.1~0.5 -0.1~0.9 -0.1~1.5 -0.1~2.4	G1/8" G1/4" ZG1/8" ZG1/4" Z1/8" Z1/4" M14×1.5		Steel	±2.5				
	YZ-50Z	Back connection					SS 304					
	YZ-50ZT	Back connection with border					Plastic					
2 1/2"	YZ-60	Bottom connection			-0.1~0.15 -0.1~0.3 -0.1~0.5 -0.1~0.9 -0.1~1.5 -0.1~2.4		G1/8" G1/4" ZG1/8" ZG1/4" Z1/8" Z1/4" M14×1.5		Steel	±2.5		
	YZ-60Z	Back connection							SS 304			
	YZ-60ZT	Back connection with border							Plastic			
3"	YZ-75	Bottom connection					-0.1~0.15 -0.1~0.3 -0.1~0.5 -0.1~0.9 -0.1~1.5 -0.1~2.4		G1/4" ZG1/4" G3/8" ZG3/8" Z1/4" Z3/8" M14×1.5		Steel	±2.5
	YZ-75Z	Back connection									SS 304	
	YZ-75ZT	Back connection with border									Plastic	
4"	YZ-100	Bottom connection	-0.1~0.15 -0.1~0.3 -0.1~0.5 -0.1~0.9 -0.1~1.5 -0.1~2.4			G1/2" ZG1/2" G3/8" ZG3/8" Z1/4" Z3/8" M20×1.5			Steel		±1.6	
	YZ-100Z	Back connection							SS 304			
	YZ-100ZT	Back connection with border							Plastic			
6"	YZ-150	Bottom connection		-0.1~0.15 -0.1~0.3 -0.1~0.5 -0.1~0.9 -0.1~1.5 -0.1~2.4		G1/2" ZG1/2" G3/8" ZG3/8" Z1/4" Z3/8" M20×1.5		Steel	±1.6			
	YZ-150Z	Back connection						SS 304				
	YZ-150ZT	Back connection with border						Plastic				

All outside are as same as former

Measurement Conversion : 1Mpa=10bar=10.2kg/cm²=145psi

Note: G=BSP ZG=BSPT Z=NPT

Bourdon Spring Pressure Gauges

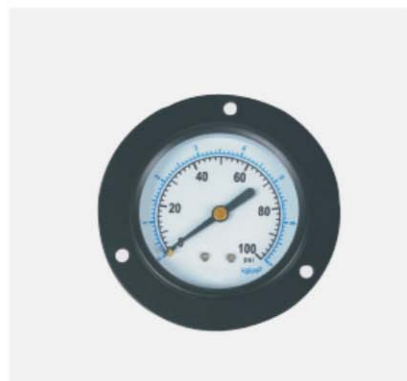
Y-General pressure gauge is well applicable for measuring the negative or positive pressure of the non-crystal or non solid gases and liquids which don't corrode or explode the copper alloy lead and tin solder.



Diameter	Model	Installation	Range (Mpa)	Thread	Casing Material	Accuracy
1 1/2"	Y-40	Bottom connection	0.1、0.16、0.25、0.4、0.6、1、1.6、2.5、4、6	G 1 / 8 " ZG1/8" Z 1 / 8 " M10×1	Steel	±2.5
	Y-40Z	Back connection			SS 304	
	Y-40ZT	Back connection with border			Steel	



Diameter	Model	Installation	Range (Mpa)	Thread	Casing Material	Accuracy
2"	Y-50	Bottom connection	0.1、0.16、0.25、0.4、0.6、1、1.6、2.5、4、6、10、16、25、40	G1/8" G1/4" ZG1/8" ZG1/4" Z1/8" Z1/4" M14×1.5	Steel	±2.5
	Y-50Z	Back connection			SS 304	
	Y-50ZT	Back connection with border			Steel	



Diameter	Model	Installation	Range (Mpa)	Thread	Casing Material	Accuracy
2 1/2"	Y-60	Bottom connection	0.1、0.16、0.25、0.4、0.6、1、1.6、2.5、4、6、10、16、25、40、60	G1/8" G1/4" ZG1/8" ZG1/4" Z1/8" Z1/4" M14×1.5	Steel	±2.5
	Y-60Z	Back connection			SS 304	
	Y-60ZT	Back connection with border			Steel	

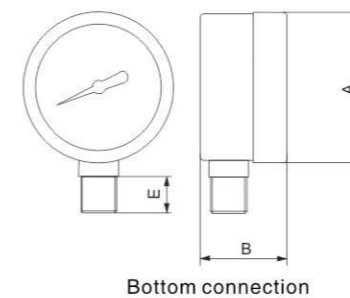
Diameter	Model	Installation	Range (Mpa)	Thread	Casing Material	Accuracy
3"	Y-75	Bottom connection	0.1、0.16、0.25、0.4、0.6、1、1.6、2.5、4、6、10、16、25、40、60	G1/4" ZG1/4" Z1/4" G3/8" ZG3/8" Z3/8" M14×1.5	Steel	±2.5
	Y-75Z	Back connection			SS 304	
	Y-75ZT	Back connection with border			Steel	

For Order

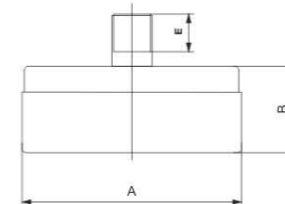
Please specify the model, specification and code

Diameter	Installation	Measure range	Case material	Fitting material	Thread	Module	Spring pipe	Transparent surface
1-1 1/2"	1-Bottom connection		√1-Steel	√1-Brass	1-NPT	√1-Brass	√1-Phosphor copper	√1-Glass
2-2"								
3-2 1/2"	2-Back connection		2-Plastic	2-SS	2-BSPT	2-SS	2-SS	2-Plastic
4-3"								
5-4"	3-Back connection with border		3-SS304		3-BSP			
6-6"								

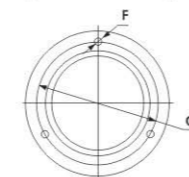
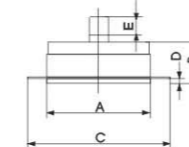
Bourdon Spring Pressure Gauge



Bottom connection



Back connection



Back connection with border

Diameter	Model	Installation	Range (Mpa)	Thread	Casing Material	Accuracy
4"	Y-100	Bottom connection	0.1、0.16、0.25、0.4、0.6、1、1.6、2.5、4、6、10、16、25、40、60	G1/2" ZG1/2" Z1/2" G3/8" ZG3/8" Z3/8" M20×1.5 Z1/4"	Steel	±1.6
	Y-100Z				SS 304	
	Y-100ZT	Back connection with border			Steel	

Installation Specification(mm)

Model	40	50	63	75	100	150
A	Φ42	Φ52	Φ63	Φ77	Φ100	Φ150
B	23	29	30	32	43	42
C		Φ74	Φ88	Φ105	Φ132	
D	3	3	3	3	3	
E	10	14	14	14	17	
F		3-Φ4	3-Φ5	3-Φ5	3-Φ6	3
G		Φ64	Φ72	Φ90	Φ118	20

For Order: Please specify the model NO.and specifications.

Measurement Conversion : 1Mpa=10bar=10.2kg/cm³=145psi Note : G=BSP ZG=BSPT Z=NPT

Electric-contact Pressure Gauge



Diameter	Model	Installation	Range (Mpa)	Thread	Casing Material	Accuracy
2 1/2"	YXC-60	Bottom connection	0.1、0.16、0.25、0.4、0.6、1、1.6、2.5、4、6、10、16、25、40、60	G1/4" Z1/4" ZG1/4" M14×1.5	Steel	±2.5
4"	YXC-100				YX-100	
6"	YXC-150	YX-150		Bottom connection	M20×1.5	

Bourdon Spring Pressure Gauge YTN-Series Liquid Filled Pressure Gauge

YTN-Series liquid filled pressure gauge fill damping fluid(silicone oil, glycerol) in the gauge and other measures to ensure that it has excellent function of impact resistance and aseismic. So it is safe and reliable, with stable performance and long useful-life. It is applied to mechanical, chemical, metallurgy, mine, electrical. Measure the pressure of medium is non-corrosive for copper and alloy. If measure the pressure of high corrosive medium, all material of pressure gauge must be stainless steel.



Diameter	Model	Installation	Range (Mpa)	Thread	Casing Material	Accuracy
1 1/2"	YTN-40	Bottom connection	0.1 0.16 0.25 0.4, 0.6 1, 1.6 2.5, 4, 6	G1/8" ZG1/8" Z1/8" M10×1	SS 304	±2.5
	YTN-40Z	Back connection				
	YTN-40ZT	Back connection with border				
2"	YTN-50	Bottom connection	0.1 0.16 0.25 0.4, 0.6 1, 1.6 2.5, 4 6, 10 16, 25 40	G1/8" G1/4" ZG1/8" ZG1/4" Z1/8" Z1/4" M14×1.5	SS 304	±2.5
	YTN-50Z	Back connection				
	YTN-50ZT	Back connection with border				
2 1/2"	YTN-60	Bottom connection	0.1 0.16 0.25 0.4, 0.6 1, 1.6 2.5, 4 6, 10 16, 25 40, 60	G1/8" G1/4" ZG1/8" ZG1/4" Z1/8" Z1/4" M14×1.5	SS 304	±2.5
	YTN-60Z	Back connection				
	YTN-60ZT	Back connection with border				

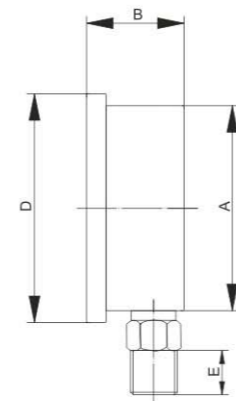
Measurement Conversion : 1Mpa=10bar=10.2kg/cm²=145psi
 Note: G=BSP ZG=BSPT Z=NPT

For Order

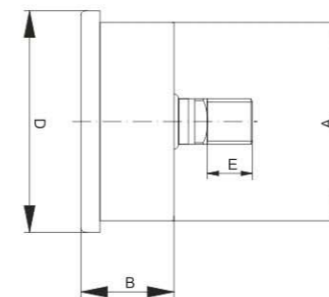
Please specify the model, specification and code

Diameter	Installation	Measure range	Casing material	Fitting material	Thread	Module	Spring pipe
1-1 1/2"	1-Bottom connection		1-Steel	√1-Brass	1-NPT	√1-Brass	√1-Phosphor copper
2-2"	2-Back connection		2-Plastic	2-SS	2-BSPT	2-SS	2-SS
3-2 1/2"	3-Back connection with border		√3-SS304		3-BSP		

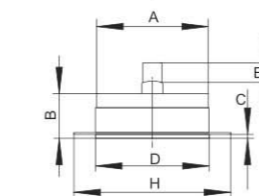
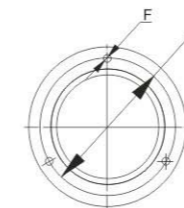
Bourdon Spring Pressure Gauge YTN-Series Liquid Filled Pressure Gauge



Bottom connection



Back connection



Back connection with border

Diameter	Model	Installation	Range (Mpa)	Thread	Casing Material	Accuracy
3"	YTN-75	Bottom connection	0.1 0.16 0.25 0.4, 0.6 1, 1.6 2.5, 4 6, 10 16, 25 40, 60	G1/8" G1/4" ZG1/8" ZG1/4" Z1/8" Z1/4" M14×1.5	SS 304	±2.5
	YTN-75Z	Back connection				
	YTN-75ZT	Back connection with border				
4"	YTN-100	Bottom connection	0.1 0.16 0.25 0.4, 0.6 1, 1.6 2.5, 4 6, 10 16, 25 40, 60	G1/2" ZG1/2" G3/8" ZG3/8" Z1/2" Z3/8" M20×1.5	SS 304	±1.6
	YTN-100Z	Back connection				
	YTN-100ZT	Back connection with border				

Installation Specification (mm)

Model	40	50	63	75	100
A	Φ42	Φ52	Φ61	Φ75	Φ98
B	26	29	31	31	37
C	3	3	3	3	3
D	Φ47	Φ58	Φ68	Φ82	Φ109
E	11	14	14	14	17
F	3-Φ3.5	3-Φ4	3-Φ5	3-Φ5	3-Φ4
G	Φ52	Φ64	Φ78	Φ91	Φ115
H	Φ62	Φ73	Φ88	Φ105	Φ130

Measurement Conversion : 1Mpa=10bar=10.2kg/cm²=145psi
 Note: G=BSP ZG=BSPT Z=NPT

Working Condition of Liquid Filled Pressure Gauge

- 1) Ambient Temp: -5°C~+55°C;
- 2) Working pressure is 1/3~3/4 Max: static pressure or 1/3~2/3 Max: dynamic liquid pressure;
- 3) Relative Humidity ≤ 80%;
- 4) Working Vibration Frequency ≤ 25Hz; media amplitude ≤ 1mm;
- 5) It is required to mount the device vertically. It's forbidden to turn the device casing with hands during mounting or demounting operation.

2W Series Solenoid Valve

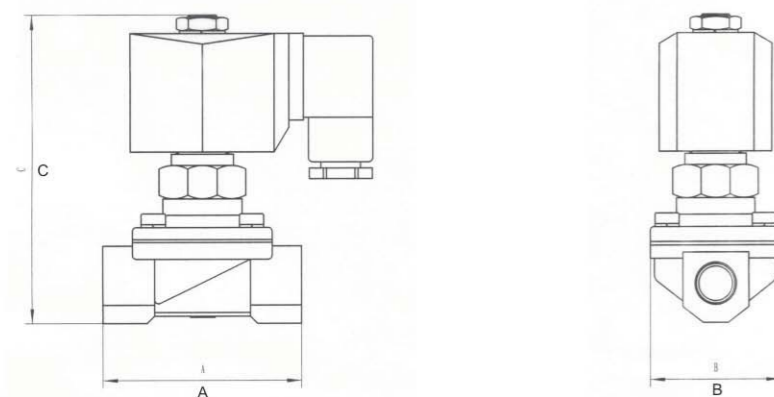
2W-/2W- B Series Solenoid Valve

Mode of action: 2/2-way
 Working principle: direct acting direct type, Semi-direct lift type
 Operating type: normally closed, normally open
 Body material: brass, stainless steel
 Sealing material and temperature: NBR ≤ 80°C, EPDM ≤ 120°C, FKM ≤ 150°C
 Working pressure: 0-10 bar
 Rating voltage: AC220V, AC110V, DC24V, DC12V
 Protection class: IP65
 Medium: gas, water, air, oil < 20CST

Technical Parameters

Model	Screw Thread	Cv	Principle	A	B	C(NC)	C(NO)
2W-3	G1/8" or G1/4"	0.3	Direct-acting type	40	26	66	85
2W-4	G1/4"	0.58		40	26	66	85
2W-5	G1/4"	0.65		40	26	66	85
2W-6	G1/4"	0.8		40	26	66	85
2W-8	G3/8"	0.97		25	50	85	92
2W-10	G3/8"	4.6	Semi-direct lift type	65	47	93	116
2W-15	G1/2"	4.6		65	47	93	116
2W-20	G3/4"	8.5		72	54	100	123
2W-25	G1"	12		90	70	108	131
2W-32	G1 1/4"	26		120	90	131	175
2W-40	G1 1/2"	26		120	90	131	175
2W-50	G2"	48		150	112	146	190
2W-25F	Flange 4 hose	12		135	115	166	224
2W-32F		26		140	140	198	224
2W-40F		26		150	150	211	236
2W-50F		48	186	165	234	256	

Note: 2W-B: Stainless steel body, 2W-F: flange connection.



2W Series Brass



2W Series Stainless Steel

PX/SPX-Series Solenoid Valve

PX/SPX-Series Solenoid Valve

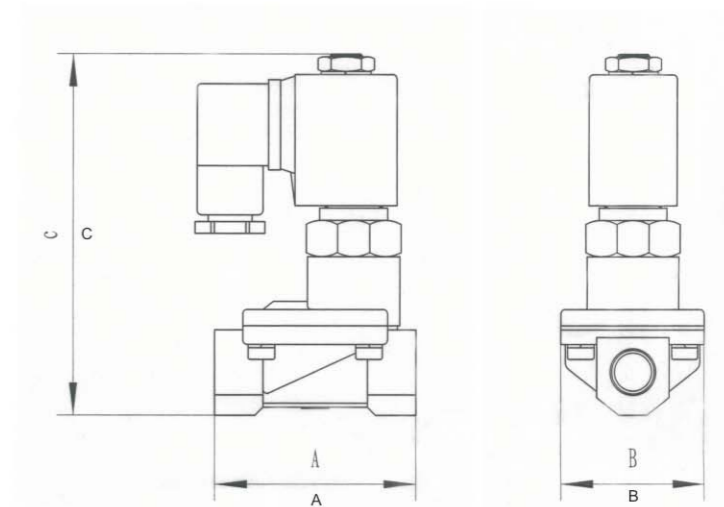
Model of action: 2/2 way
 Working principle: Pilot operated diaphragm type
 Operating type: Normally closed, normally open
 Body material: Brass (PX), SS304 (SPX)
 Sealing material and temperature: NBR ≤ 80°C, EPDM ≤ 120°C, FKM ≤ 150°C
 Working pressure: 0.5-15bar
 Rating voltage: AC220V, AC110V, DC12V, DC24V
 Medium: Gas, water, hot water, oil, etc
 Application: Middle high pressure, large gas flow, liquid control system

Technical Parameters

Model	Screw Thread	Cv	Principle	A	B	C(NC)	C(NO)
PX-10	G3/8"	4.6	Pilot-operated type	68	49	107	118
PX-15	G1/2"	4.6		68	49	107	118
PX-20	G3/4"	8.5		76	57	114	125
PX-25	G1"	12		96	70	122	133
PX-32	G1 1/4"	26		120	90	141	152
PX-40	G1 1/2"	26		120	90	141	152
PX-50	G2"	48		150	112	158	169



PX Series



DF Series Solenoid Valve

Application

For 2 way automatic and distance on/off control of neutral gas and fluid.

Structure Features

Sealed with film, acting sensitively, reliable performance

Openrating Type

Normally Closed (N/C) ,Normally Open (N/O)

Technical Parameters

Diameter	10、15、20、25、32、40、50、65、80、100
Working Pressure	0.03~1.2Mpa
Medium	liquid、gas、oil ≤4° E
Medium Temperature	-5~80° C
Power(V)	AC: 380、220、110、36 DC: 220、110、24、12
	DN: 5-20 12W DN: 25-100 25W

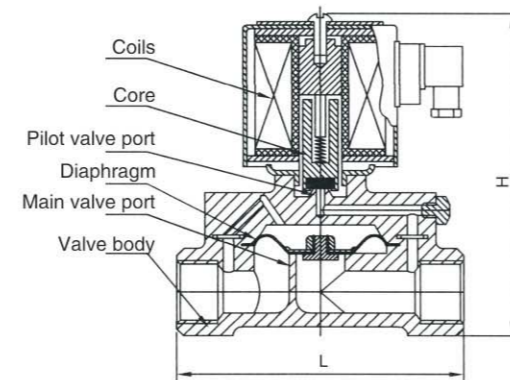
Installation Specification

Model	L(mm)	H(mm)	Cv	Connection	Material
DF-10	80	105	4.5	G3/8" Female	Cast Copper
DF-15	80	105	4.5	G1/2" Female	
DF-20	87	114	7.2	G3/4" Female	
DF-25	107	122	11	G1" Female	
DF-15	80	105	14	G1/2" Female	
DF-20	87	114	24	G3/4" Female	Copper body: In case you choose Stainless steel, Please state "B" in your order
DF-25	107	122	35	G1" Female	
DF-32	129	131	11	G1 1/4" Female	
DF-40	145	142	14	G1 1/2" Female	
DF-50	177	155	24	G2" Female	
DF-40F	169	196	35	Flange 4 hole Φ18 Hole Diameter Φ110 Length Between Holes	Body: Cast iron
DF-50F	200	200	52	Flange 4 hole Φ18 Hole Diameter Φ125 Length Between Holes	
DF-65F	260	280	82	Flange 4 hole Φ18 Hole Diameter Φ145 Length Between Holes	
DF-80F	280	287	129	Flange 4 hole Φ18 Hole Diameter Φ160 Length Between Holes	
DF-100F	352	330	292	Flange 4 hole Φ18 Hole Diameter Φ180 Length Between Holes	

Note. From DF-25 to DF-150 can be mad of stainless steel coupling flange. e.g. DF-25BF



DF Series Solenoid Valve



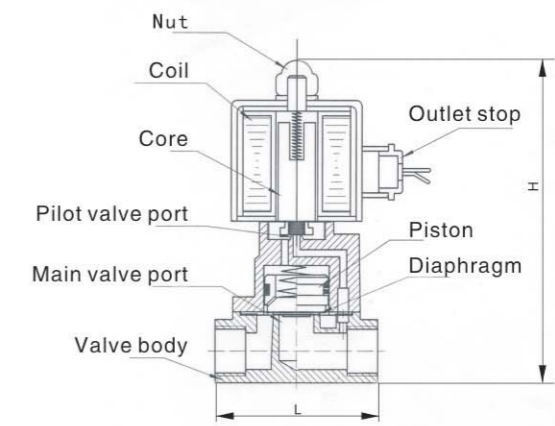
DF-DB High Temperature SS Solenoid Valve

Application

It is applicable for equipment and devices with heating medias of liquefied gases or vapor e.g. heaters, radiators, driers and textile setting machines, vapor dyeing machines, tobacco bacuum humidifiers, vegetable and fruit drying machines among other assemblies. This product can be integrated in equipment control devices for either automatic or remote control of vapor piping toggling on/off and suitable for application in various industries of petroleum, chemicals, textile, food, medical instrument, environmental protection and so on for temperature control, energy saving and automatic remote control.



DF-DB Series Solenoid Valve



Datasheet of DF-DB Stainless Steel Series High Temperature Solenoid Valves (DF-DB)

Diameter (mm)	DF-15DB	DF-20DB	DF-25DB	DF-32DB	DF-40DB	DF-50DB
Action Mode	Pilot-operated					
Working Pressure	0.04MPa-1.6MPa					
Working Media	Liquefied Gases, Vapor, Air, Liquid, Oil					
Working Temperature	≤200℃					
Rating Voltage	AC: 380、220、110、36、24、DC: 220、110、36、24、12、					
Insulation Grading	Grade B					
LXH(mm)	70x135	74x142	92x150	110x164	122x168	160x190
Connection	G1/2" (F)	G3/4" (F)	G1" (F)	G1 1/4" (F)	G1 1/2" (F)	G2" (F)

Note: All models number end with "F" are for flange connection e.g. DF-25DBF. Flange connection should be particular mentioned in your purchase order if these models are needed.

Structure Characteristics

- Pilot-operated valves with twice operation for opening are featured in small size and low power.
- There is heat insulating and buffering components between pilot valve and main valve.
- Valves sealing of Teflon is selected heat-resistant and anti-erosive magnetic material after piston and cylinder press molding, which featured in high performance and long life.

ZCZ Series Steam Solenoid Valve

Application

It is applicable for neutral high temperature gas and liquid for either automatic or remote control of vapor piping toggling on/off.

Structure Characteristics

Pilot-operated valves with twice operation for opening are featured in small size. Selected the piston structure and valves sealing of Teflon, which featured in high performance and long life.

Function Type

Normally Closed (N/C) , Normally Open (N/O)

Technical Parameters

Diameter (mm)	15、20、25、32、40、50、65、80、100
Working Pressure	0.04~1.0Mpa
Medium	Steam、High Temp Gas
Medium Temperature	-5℃ ~-180℃
Rating Voltage	AC: 380、220、36、24 DC: 220、110、36、24
Power	DN: 15-50 24W DN: 65-100 50W

Installation Specification

Model	Cv	L (mm)	H (mm)	Connection	Material
ZCZ-15	3.7	81	150	G1/2" Female	Copper body: In case you choose Stainless STEEL, Please state "B" in your order
ZCZ-20	7	101	160	G3/4" Female	
ZCZ-25	11	110	170	G1" Female	
ZCZ-32	18	136	195	G1 1/4" Female	
ZCZ-40	24	130	200	G1 1/2" Female	
ZCZ-50	35	140	210	G2" Female	
ZCZ-15F	3.7	120	170	Flange 4 hole Φ 14 Hole Diameter Φ 65 Length Between Holes	Body: Castiron
ZCZ-25F	11	125	193	Flange 4 hole Φ 14 Hole Diameter Φ 85 Length Between Holes	
ZCZ-32F	14	140	250	Flange 4 hole Φ 18 Hole Diameter Φ 100 Length Between Holes	
ZCZ-40F	24	138	233	Flange 4 hole Φ 18 Hole Diameter Φ 110 Length Between Holes	
ZCZ-50F	35	154	244	Flange 4 hole Φ 18 Hole Diameter Φ 125 Length Between Holes	
ZCZ-65F	53	241	320	Flange 4 hole Φ 18 Hole Diameter Φ 145 Length Between Holes	
ZCZ-80F	82	269	330	Flange 4 hole Φ 18 Hole Diameter Φ 160 Length Between Holes	
ZCZ-100F	128	343	370	Flange 8 hole Φ 18 Hole Diameter Φ 180 Length Between Holes	



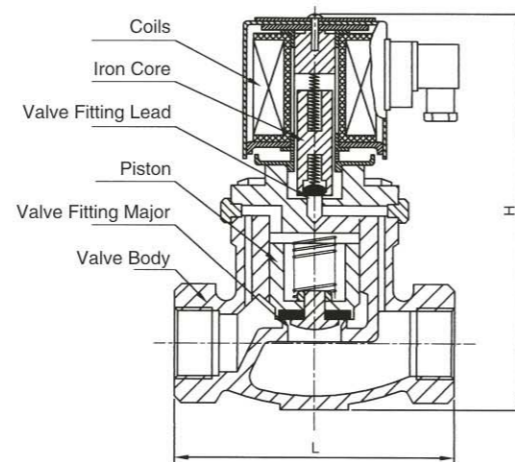
ZCZ-15



ZCZ-25



ZCZ-25F



ZQDF Series Steam Solenoid Valve

Application

Start at 0 psi, for the automatic and distance on/off control of high temperature neutral gas and fluid.

Structure Characteristics

Direct acting and back-up structure. PTFE as the seal material, reliable performance and long life span.

Function Type

Normally Closed

Technical Parameters

Diameter (mm)	15、20、25、32、40、50
Working Pressure	0-0.8Mpa
Medium	Steam、High Temp Gas
Medium Temperature	-5℃ ~-180℃
Rating Voltage	AC: 380、220、110、36 DC: 220、110、36、24
Power	≤50W

Installation Specification

Model	Cv	L(mm)	H(mm)	Connection	Material
ZQDF-15	3.7	82	148	G1/2" Female	Body: Copper
ZQDF-20	7.0	100	192	G3/4" Female	
ZQDF-25	11	110	195	G1" Female	
ZQDF-32	14	118	206	G1 1/4" Female	
ZQDF-40	24	125	209	G1 1/2" Female	
ZQDF-50	35	128	225	G2" Female	
ZQDF-15F	3.7	101	185	Flange 4 hole Φ 14 Hole Diameter Φ 65 Length Between Holes	
ZQDF-20F	7.0	107	210	Flange 4 hole Φ 14 Hole Diameter Φ 75 Length Between Holes	
ZQDF-25F	11	107	219	Flange 4 hole Φ 14 Hole Diameter Φ 85 Length Between Holes	
ZQDF-32F	14	120	240	Flange 4 hole Φ 18 Hole Diameter Φ 100 Length Between Holes	
ZQDF-40F	24	146	248	Flange 4 hole Φ 18 Hole Diameter Φ 110 Length Between Holes	
ZQDF-50F	35	146	255	Flange 4 hole Φ 18 Hole Diameter Φ 125 Length Between Holes	



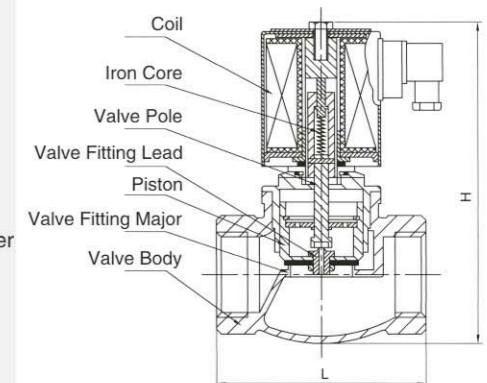
ZQDF-15



ZQDF-25

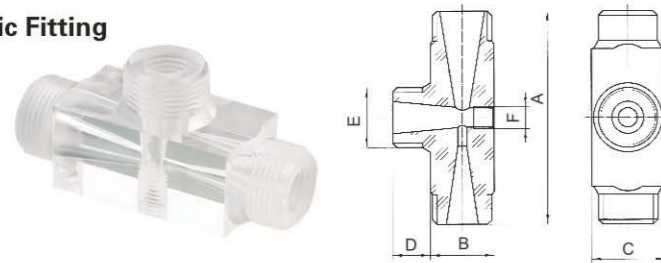


ZQDF-50F



Customer&OEM Requestment

Acrylic Fitting



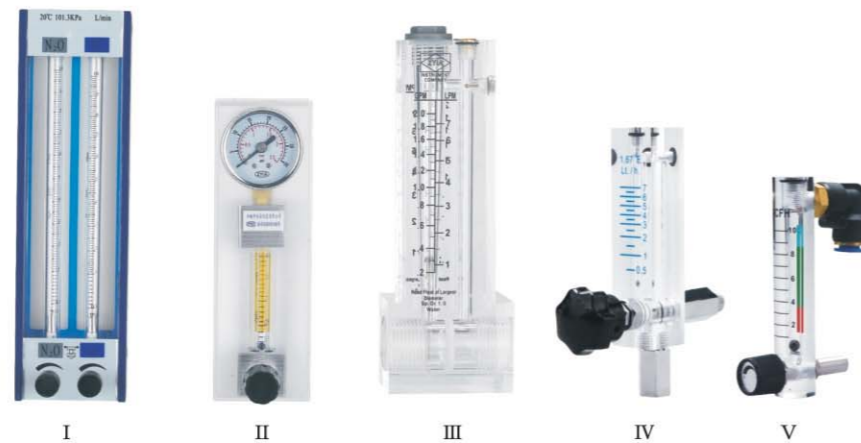
Model	Size (mm)					
	A	B	C	D	E	F
S-15	93	28	32	16.5	1/2"BSP	M10
S-20	93	28	32	16.5	3/4"BSP	M10
S-25	96	43	43	18	1"BSP	M10

Liquid Level Meter



LZM-6.10 Gas Flow Meter

- I Medical Anaesthetic Flow Meter
- II Communication Equipment Flow Meter
- III LZM-Level Install Flow Meter
- IV Kiln Plant Flow Meter
- V Flow Meter For Oxygen Concentrator



Measuring Cell For Amperometric Sensors

Description

The measuring at a constant flow rate requires the use of a specific cell which guaranties the perfect operating conditions and the measurement quality. Our measuring cells accept any of our amperometric sensors and pH or ORP electrodes. The flow rate is adjustable with a needle valve and the automatic control is possible with the flow indicator-controller. The complete assembly optimizes the operations.

- For sanitary, drinkable, cooling, water processed
- Dedicated holder for up to 5 sensors:
Amperometric sensors, pH and ORP electrodes
- Flow limit controller, flow rate adjustment
- Stainless steel pin as liquid reference potential
- Outlet valve for sampling



KINGTAI 
INSTRUMENT